



AH 12- 150 (12V150AH)



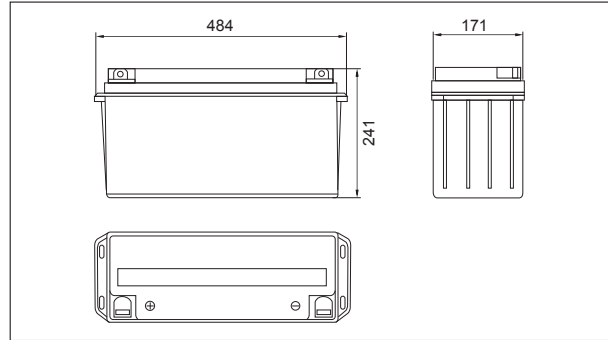
Specifications

| | | |
|-------------------------------|--------------|-----------------------|
| Nominal Voltage | | 12V |
| Rated capacity (10 hour rate) | | 150 Ah |
| Dimensions | Total Height | 241 mm (9.49inches) |
| | Height | 241 mm (9.49 inches) |
| | Length | 484 mm (19.1 inches) |
| | Width | 171 mm (6.73 inches) |
| Weight Approx | | 42.5 Kg (94.6 lbs) |

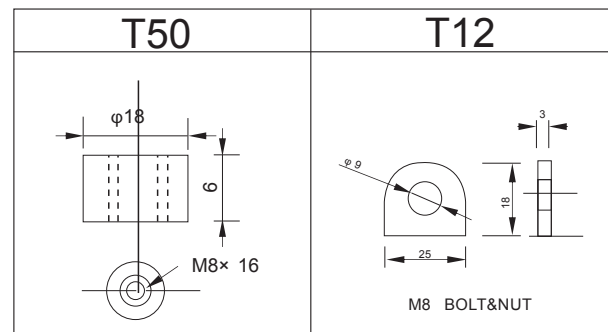
Characteristics

| | | | |
|---|---|--|-------|
| Design Life | EUROBAT Long Life 10/12 years | | |
| Certification | ISO9001, ISO14001, OHSAS18001, UL, CE, IEC60896-21/22 | | |
| Capacity 25°C(77°F) | 10 hour rate (15.0 A) | 150 AH | |
| | 5 hour rate (24.0 A) | 120 AH | |
| | 1 hour rate (90.0A) | 90.0 AH | |
| | 1.5 hour discharge to 10.5V | 60.0 A | |
| Internal Resistance | Full charged Battery at 25°C(77°F) 2 mΩ | | |
| Capacity affected by Temperature (20hour rate) | 40°C(104°F) | 102% | |
| | 25°C(77°F) | 100% | |
| | 0°C(32°F) | 85% | |
| | -15°C(5°F) | 65% | |
| Self-Discharge at 25°C(77°F) | Capacity after 3 month storage | 91% | |
| | Capacity after 6 month storage | 82% | |
| | Capacity after 12 month storage | 64% | |
| Terminal | | T50, T12 | |
| Charge (constant Voltage) | Cycle | Initial Charging Current less than Voltage 14.10-14.40V | 37.5A |
| | Float | Voltage 13.50-13.80V | |

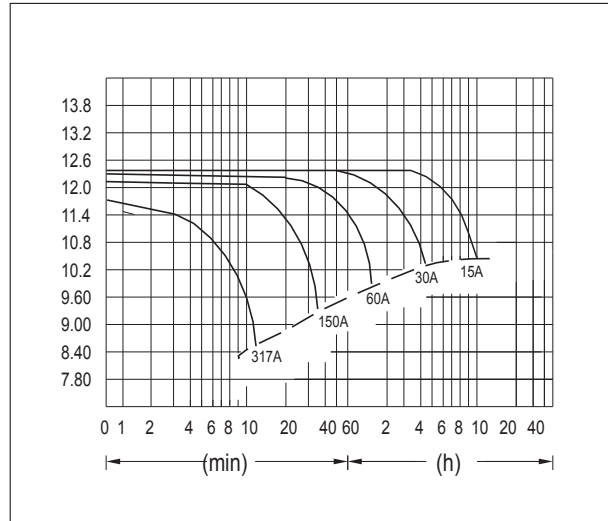
Outer dimensions (mm)



Terminal Type (mm)



Discharge Curves 25°C(77°F)



Constant Current(Amp) and Constant Power(Watt) Discharge Table at 25 (72)

| Time | | 10min | 30min | 1h | 2h | 3h | 4h | 5h | 8h | 10h | 20h |
|--------|---|-------|-------|------|------|------|------|-------|-------|-------|-------|
| 9.60V | A | 296.0 | 162.8 | 88.8 | 51.8 | 38.5 | 31.1 | 26.3 | 17.1 | 16.3 | 8.44 |
| | W | 3138 | 1734 | 950 | 559 | 443 | 354 | 303.0 | 195.4 | 180.7 | 98.70 |
| 10.20V | A | 281.2 | 161.3 | 83.5 | 49.4 | 37.7 | 30.3 | 25.8 | 16.8 | 15.3 | 8.29 |
| | W | 3093 | 1783 | 927 | 554 | 430 | 344 | 292 | 193 | 178 | 96.14 |
| 10.50V | A | 251.6 | 151.0 | 81.4 | 48.2 | 37.0 | 29.6 | 25.2 | 16.7 | 15.1 | 8.18 |
| | W | 2818 | 1698 | 920 | 550 | 424 | 340 | 284 | 191 | 174 | 94.12 |
| 10.80V | A | 236.8 | 139.1 | 78.4 | 47.1 | 36.3 | 28.9 | 22.5 | 16.2 | 14.8 | 8.08 |
| | W | 2688 | 1586 | 898 | 544 | 421 | 336 | 262 | 189 | 172 | 92.12 |
| 11.10V | A | 222.0 | 124.3 | 74.0 | 45.9 | 34.8 | 28.1 | 21.5 | 15.8 | 14.4 | 7.99 |
| | W | 2553 | 1436 | 858 | 537 | 409 | 332 | 253 | 186 | 170 | 90.31 |