

AH 12-100(12V100AH)



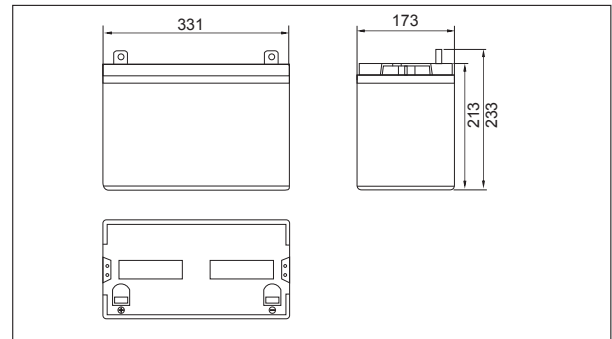
Specifications

Nominal Voltage		12V
Rated capacity (10 hour rate)		100 Ah
Dimensions	Total Height	233 mm (9.17 inches)
	Height	213 mm (8.39 inches)
	Length	331 mm (13.0 inches)
	Width	173 mm (6.81 inches)
Weight Approx		29.0 Kg (63.9 lbs)

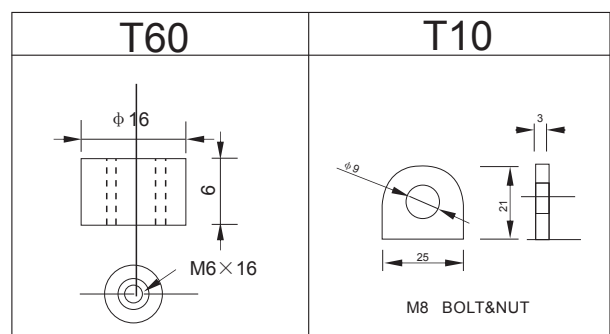
Characteristics

Design Life	EUROBAT Long Life 10/12 years	
Certification	ISO9001, ISO14001, OHSAS18001, UL, CE, IEC60896-21/22	
Capacity 25°C(77°F)	10 hour rate (10.0 A)	100 AH
	5 hour rate (16.0 A)	80.0 AH
	1 hour rate (60.0A)	60.0 AH
	1.5 hour discharge to 10.5V	40.0 A
Internal Resistance	Full charged Battery at 25°C(77°F) 4.5 mΩ	
Capacity affected by Temperature (20hour rate)	40°C(104°F)	102%
	25°C(77°F)	100%
	0°C(32°F)	85%
	-15°C(5°F)	65%
Self-Discharge at 25°C(77°F)	Capacity after 3 month storage	91%
	Capacity after 6 month storage	82%
	Capacity after 12 month storage	64%
Terminal	T60, T10	
Charge (constant Voltage)	Cycle	Initial Charging Current less than 25.0A Voltage 14.10-14.40V
	Float	Voltage 13.50-13.80V

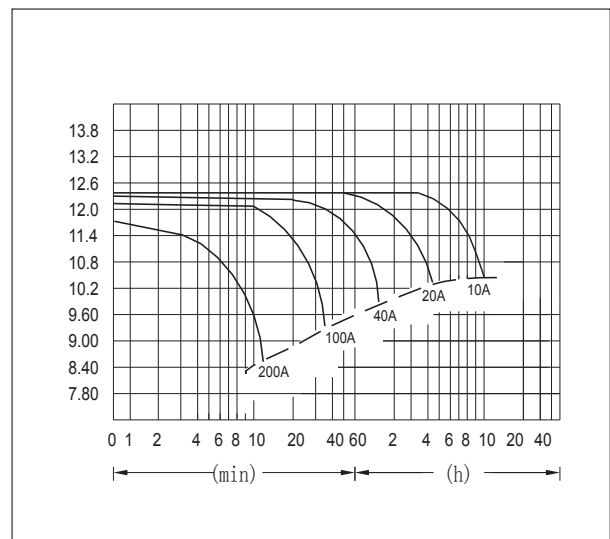
Outer dimensions (mm)



Terminal Type (mm)



Discharge Curves 25°C(77°F)



Constant Current(Amp) and Constant Power(Watt) Discharge Table at 25°C (72°F)

Time		10min	30min	1h	2h	3h	4h	5h	8h	10h	20h
9.60V	A	200.0	110.0	60.0	35.0	26.0	21.0	17.8	11.6	11.0	5.7
	W	2120	1172	642	378	283	231	195.8	128.6	122.1	63.8
10.20V	A	190.0	111.0	56.4	33.4	25.5	20.5	17.4	11.4	10.4	5.6
	W	2090	1227	626	374	288	233	197	129	117	64
10.50V	A	180.0	102.0	55.0	32.6	25.0	20.0	17.0	11.3	10.0	5.5
	W	2016	1148	622	372	286	230	196	129	117	64
10.80V	A	170.0	94.0	53.0	31.8	24.5	19.5	15.2	11.0	10.0	5.5
	W	1930	1072	607	367	284	227	177	128	117	64
11.10V	A	160.0	84.0	50.0	31.0	23.5	19.0	14.5	10.7	9.8	5.4
	W	1840	970	580	363	276	224	171	126	115	64