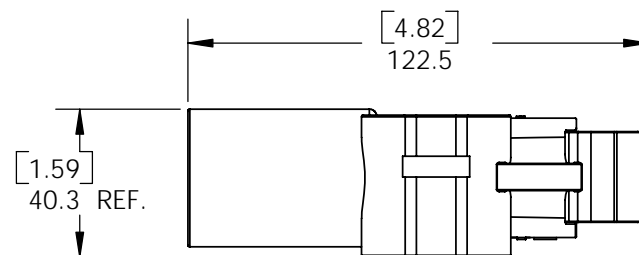
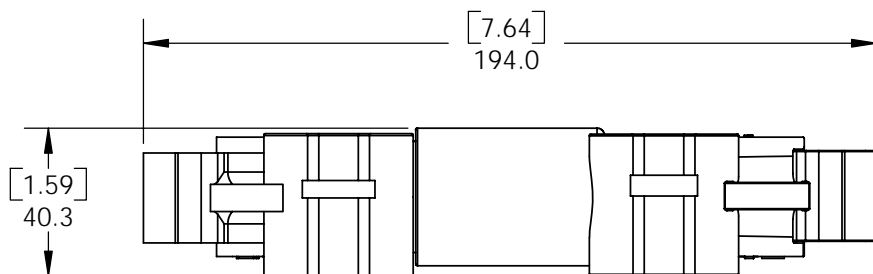
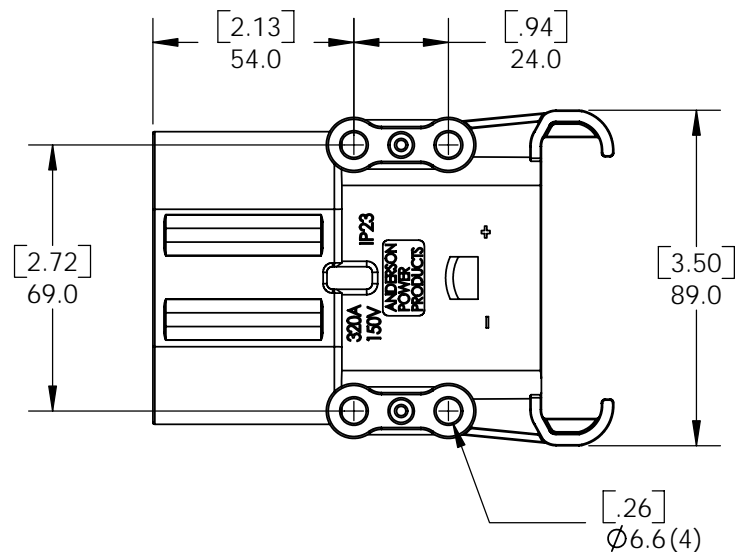
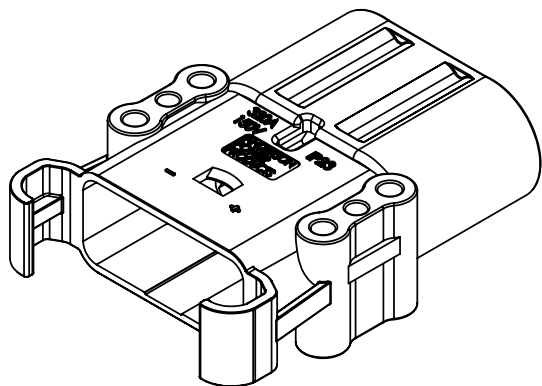


THE INFORMATION CONTAINED IN THIS DRAWING IS THE SOLE PROPERTY OF ANDERSON POWER PRODUCTS. ANY REPRODUCTION IN PART OR WHOLE WITHOUT THE WRITTEN PERMISSION OF ANDERSON POWER PRODUCTS IS PROHIBITED.

Copyright 2006

ANDERSON POWER PRODUCTS RESERVES THE RIGHT TO ALTER PRODUCT TYPES, THEIR TECHNICAL DATA, DIMENSION, STYLE AND ACCESSORIES WITHOUT PRIOR NOTIFICATION.



MATED PAIR

| PART NO. | DESCRIPTION | MATERIAL | COLOR |
|----------|---------------------|--------------|-------|
| 320-1 | ABC PIN HSG. (320A) | NYLON | BLACK |
| E320-1 | EBC PIN HSG. (320A) | PP | GRAY |
| EN320-1 | EBC PIN HSG. (320A) | NYLON | BLACK |
| EP320-1 | EBC PIN HSG. (320A) | PBT-PC BLEND | GRAY |

| | | |
|---|---------------|----------|
| DIMENSIONS ARE IN: | INCH[MM] | MM[INCH] |
| UNLESS OTHERWISE STATED | | |
| TOLERANCES: | | |
| DECIMALS (INCH) | DECIMALS (MM) | ANGLES |
| XX ± .02 | X ± .5 | ±2° |
| SURFACE FINISH: | | |
| MACHINED | 128 [3.2] | ✓ |
| MOLDED | 64 [1.6] | ✓ |
| MATERIAL: SEE DATA SHEET FOR MATERIAL SPECS | | |
| FINISH: N/A | | |

| APPROVALS | |
|-----------|------------|
| DRAWN | AMP 6/7/05 |
| CHECKED | DJD 6/9/05 |
| MFG APP | CHB 6/7/05 |
| QC APP | JJA 6/9/05 |
| ENG APP | DAM 6/8/05 |

ANDERSON POWER PRODUCTS

TITLE: SALES OUTLINE
320A MALE PIN HOUSING

SIZE: A/A4 DWG NO.: E320-1S1 REV.: 1

SCALE: NONE CADFILE: 02355 SHEET: 1 OF 1



| REV. | DESCRIPTION OF CHANGES | APPROVED | DATE |
|------|--|----------|----------|
| 1 | ECRN 13946 - ADD "EP" & "EN" SERIES PART NUMBERS | AMS | 01/19/06 |