

8

7

6

5

4

3

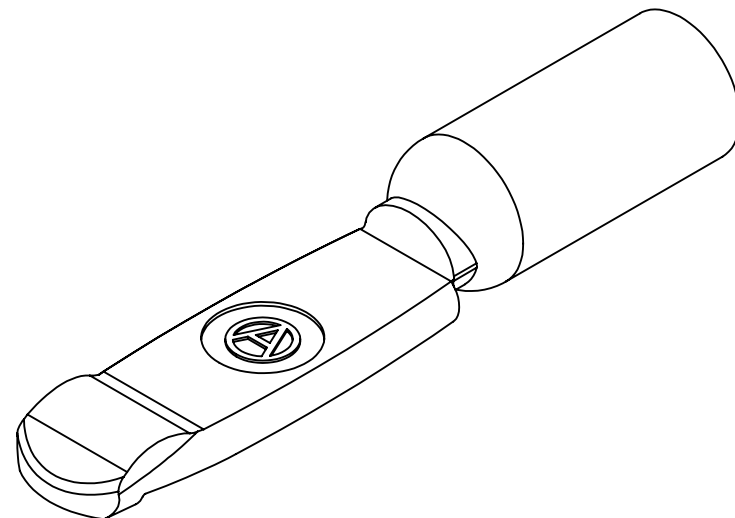
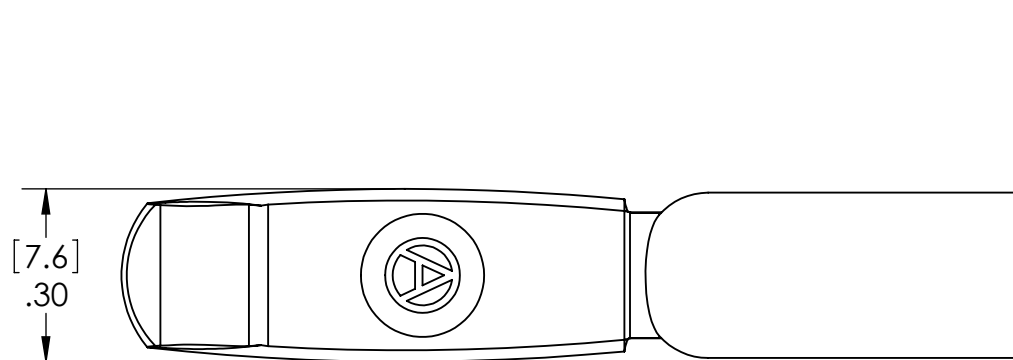
2

1

THE INFORMATION CONTAINED IN THIS DRAWING IS THE SOLE PROPERTY OF ANDERSON POWER PRODUCTS. ANY REPRODUCTION IN PART OR WHOLE WITHOUT THE WRITTEN PERMISSION OF ANDERSON POWER PRODUCTS IS PROHIBITED.

Copyright 2011

ANDERSON POWER PRODUCTS RESERVES THE RIGHT TO ALTER PRODUCT TYPES, THEIR TECHNICAL DATA, DIMENSION, STYLE AND ACCESSORIES WITHOUT PRIOR NOTIFICATION.



E

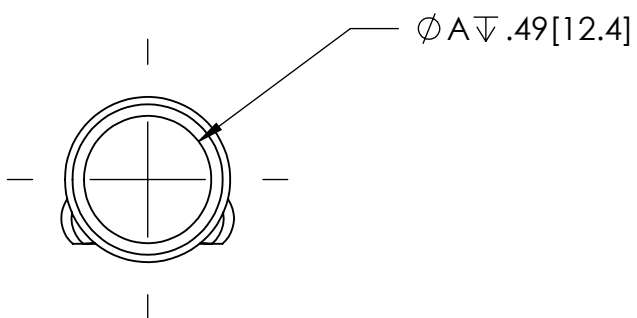
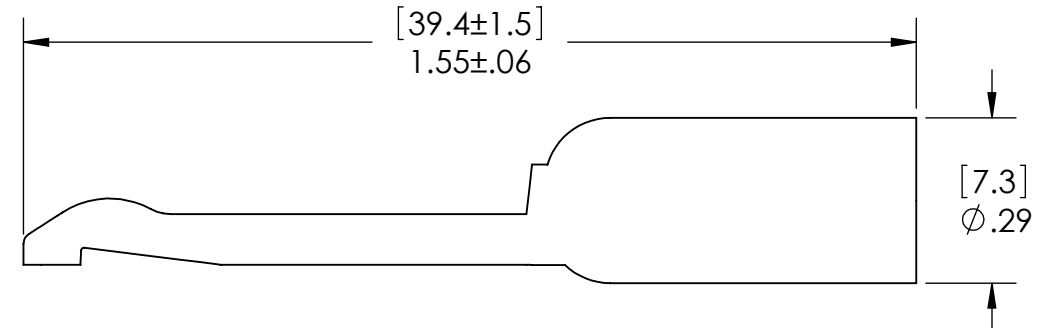
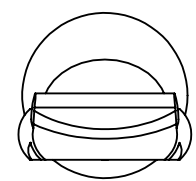
E

D

D

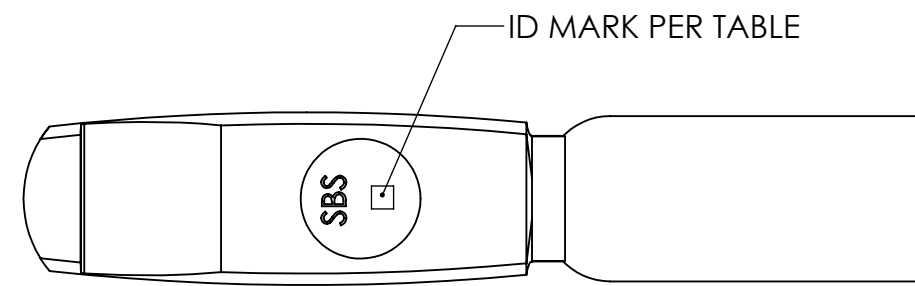
C

C



B

B



CAT. NO.	WIRE GAGE	ø A	ID MARK
1339G2	6 AWG	ø.22 [5.6]	6
1339G3	10-12 AWG	ø.14 [3.5]	10/12
1339G5	8 AWG	ø.19 [4.7]	8

A

A

REV.	DESCRIPTION	APPRV	DATE
3	ECRN-15034	NTS	1/5/12
2	ECRN 14806	NTS	1/10/2011
1	ECRN 13652	JB	8/03

REVISIONS

DIMENSIONS ARE IN:	INCH [MM]	APPROVALS		ANDERSON POWER PRODUCTS TITLE OUTLINE: 1339G SERIES CONTACTS FOR SBS50, SBS75X
UNLESS OTHERWISE STATED		DRAWN	GN 6/1/2003	
TOLERANCES:		CHECKED	DD 6/1/2003	
DECIMALS (INCH) DECIMALS (MM) ANGLES		MFG APPRV	DM 6/1/2003	
.XX ±.02 .X ±.5 ±2°		QC APPRV	RO 6/1/2003	
SURFACE FINISH:		ENG APPRV	MW 6/1/2003	SIZE B
MACHINED 64 [1.6] ✓ MOLDED 32 [0.8] ✓				DWG NO. B01853S2
MATERIAL: COPPER ALLOY				REV. 3
FINISH: SILVER PLATE				SCALE NONE
		-CAD GENERATED DRAWING- DO NOT MANUALLY UPDATE DO NOT SCALE		CADFILE 01777
				SHEET 1 OF 1

8

7

6

5

4

3

2

1