

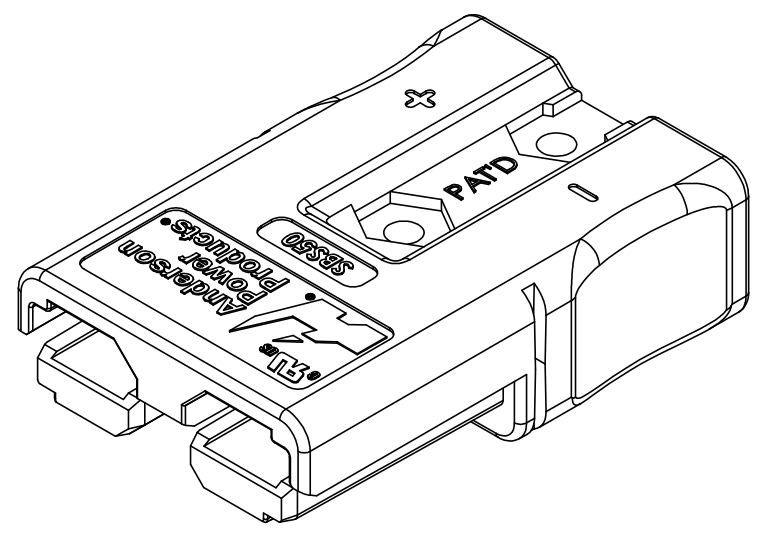
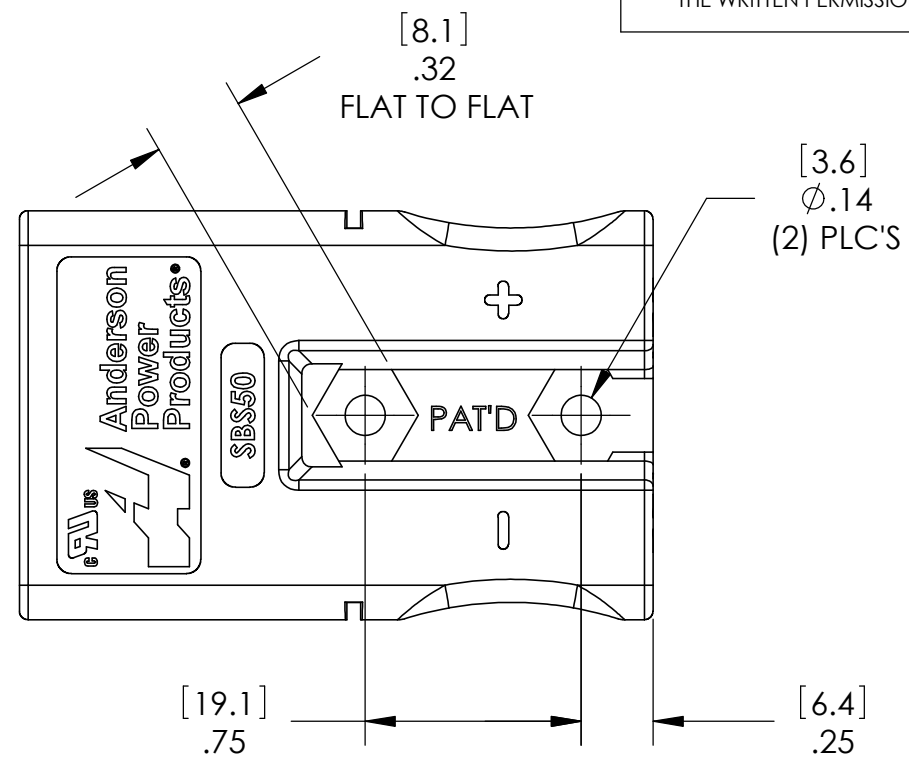
THE INFORMATION CONTAINED IN THIS DRAWING IS THE SOLE PROPERTY OF ANDERSON POWER PRODUCTS. ANY REPRODUCTION IN PART OR WHOLE WITHOUT THE WRITTEN PERMISSION OF ANDERSON POWER PRODUCTS IS PROHIBITED.

COPYRIGHT 2016

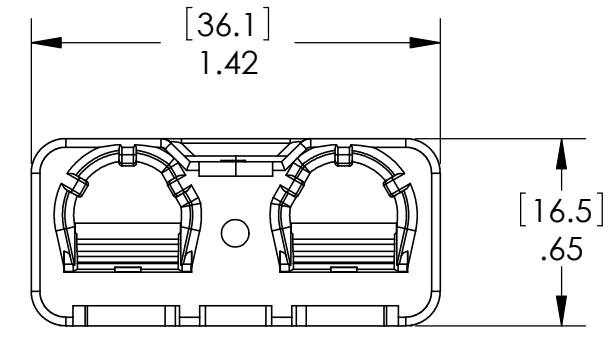
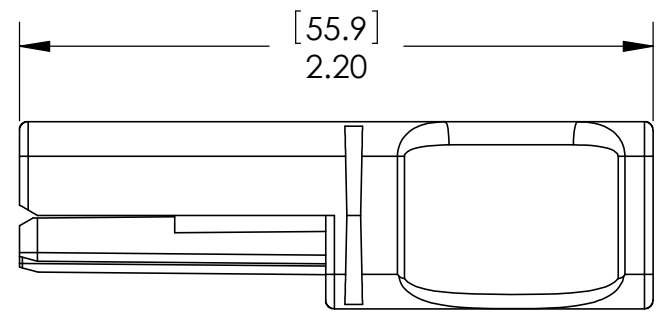
ANDERSON POWER PRODUCTS RESERVES THE RIGHT TO ALTER PRODUCT TYPES, THEIR TECHNICAL DATA, DIMENSION, STYLE AND ACCESSORIES WITHOUT PRIOR NOTIFICATION.

8 7 6 5 4 3 2 1

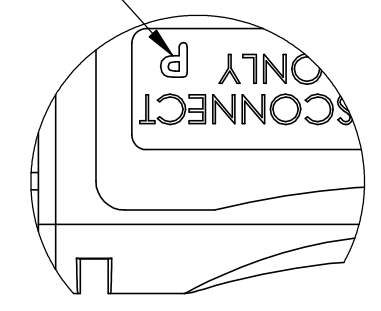
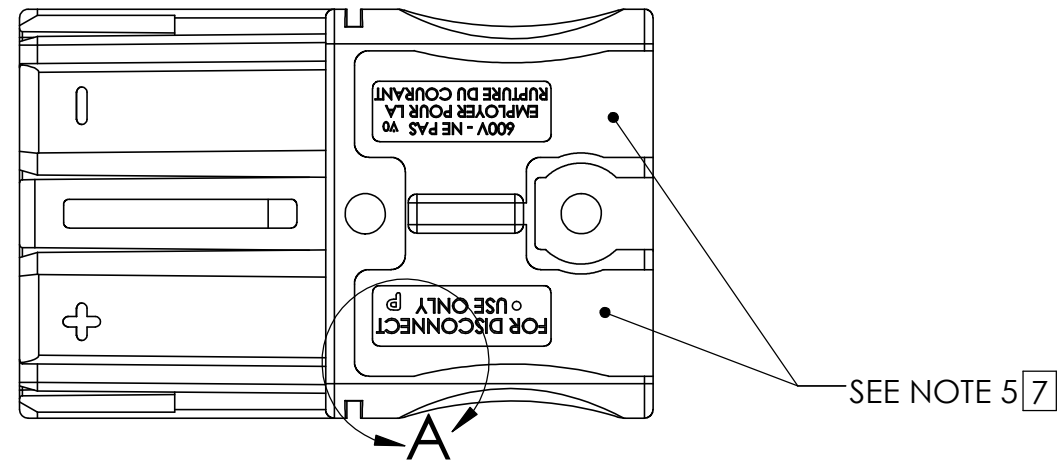
E



D



C

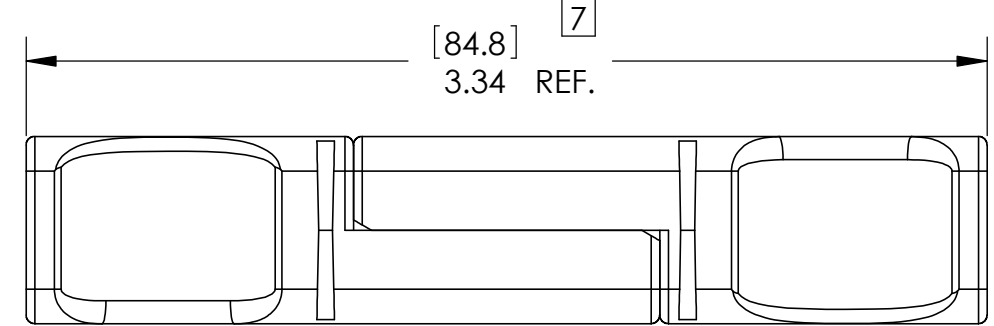


**DETAIL A
SCALE 3:1**

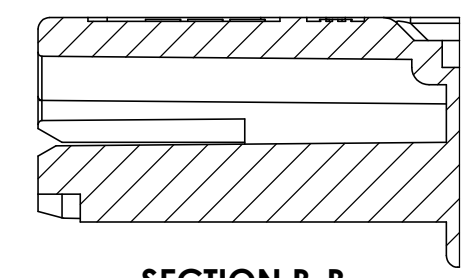
[7] DENOTES PBT MATERIAL

SEE NOTE 5 [7]

B



MATED PAIR



**SECTION B-B
APPLIES TO GREEN KEY ONLY**

A

- NOTES:
1. SPRING/HOUSING ASSEMBLIES ARE cURus RECOGNIZED PER FILE E26226.
 2. HOUSINGS ARE KEYPED TO ONLY ALLOW MATING WITH THE SAME COLOR HOUSING.
 3. FOR ASSEMBLY INSTRUCTIONS SEE DOCUMENT 1S1030A
 4. HOUSING ASSEMBLIES ACCOMMODATE ANDERSON CONTACTS FOR WIRE RANGE FROM #6 AWG TO #16 AWG.
 - [7] 5. MANUFACTURING AND AGENCY MARKINGS SHOWN ON THIS SURFACE.

CAT. NO.	MAT'L	KEYING CONFIGURATION	COLOR
SBS50GRA	PC		GRAY
PSBS50GRA	PBT		GRAY
SBS50BLU	PC		BLUE
PSBS50BLU	PBT		BLUE
SBS50BLK	PC		BLACK
PSBS50BLK	PBT		BLACK
SBS50BRN	PC		BROWN
PSBS50BRN	PBT		BROWN
SBS50RED	PC		RED
PSBS50RED	PBT		RED
SBS50WHT	PC		WHITE
PSBS50WHT	PBT		WHITE
SBS50GRN	PC		GREEN
PSBS50GRN	PBT		GREEN

REV.	DESCRIPTION OF CHANGES	APPROVED	DATE
7	ECN 2016-0112 - CHANGED NOTE 5, PBT MATERIAL LABEL	CPD	12/9/16
6	ECRN 14598 - MODIFIED GREEN KEY, ADDED SECTION B-B	NTS	4/6/10
5	ECRN 14583 - ADDED GREEN KEY	CHB	03/10/10
4	ECRN 14391 - REDRAW, UPDATE BORDER AND TABLE	AMS	03/03/09

DIMENSIONS ARE IN:		INCH [MM]		APPROVALS		ANDERSON POWER PRODUCTS	
UNLESS OTHERWISE STATED				DRAWN		TITLE	
TOLERANCES:				AGB		12/16/2002	
DECIMALS (INCH)				CHECKED		SBS50 DUAL POLE SPRING AND HOUSING	
.XX ± .015				DJD		12/18/2002	
.XXX ± .005				MFG APPRV		12/19/2002	
X ± .38				DAM		12/18/2002	
XX ± .13				QC APPRV		12/18/2002	
XX ± .13				RPO		12/18/2002	
SURFACE FINISH:				ENG APPRV		MAW	
MACHINED 128µin [3.2µ]				12/18/2002		SIZE C	
MOLDED 64µin [1.6µ]						DWG NO. 2-8467S1	
MATERIAL: SPRINGS - STAINLESS STEEL						REV. 7	
HOUSINGS - SEE TABLE						SCALE 1:1	
FINISH:						CADFILE	
3rd ANGLE PROJECTION						01652	
						1 OF 1	

8 7 6 5 4 3 2 1