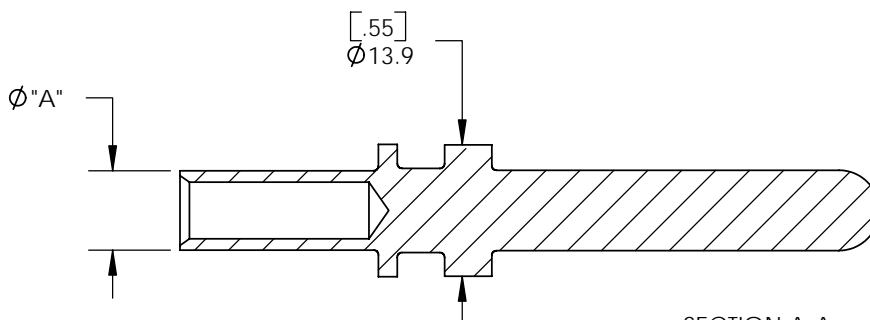
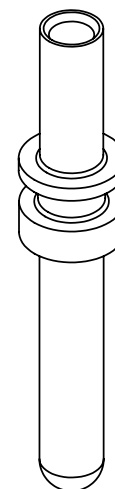
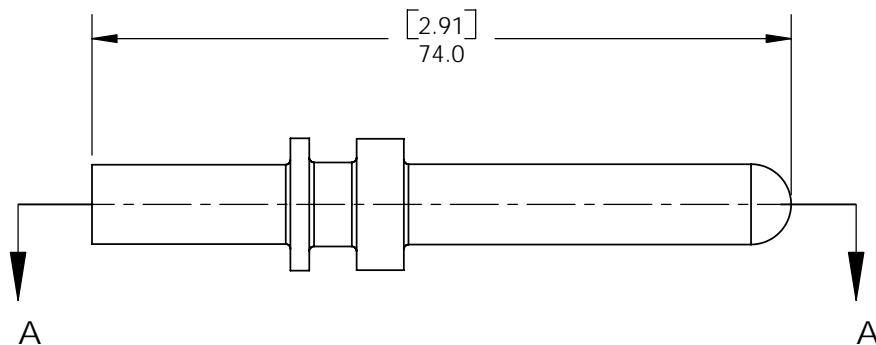
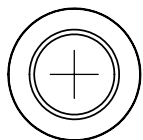


THE INFORMATION CONTAINED IN THIS DRAWING IS THE SOLE PROPERTY OF ANDERSON POWER PRODUCTS. ANY REPRODUCTION IN PART OR WHOLE WITHOUT THE WRITTEN PERMISSION OF ANDERSON POWER PRODUCTS IS PROHIBITED.

Copyright 2005

ANDERSON POWER PRODUCTS RESERVES THE RIGHT TO ALTER PRODUCT TYPES, THEIR TECHNICAL DATA, DIMENSION, STYLE AND ACCESSORIES WITHOUT PRIOR NOTIFICATION.



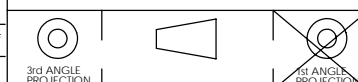
SECTION A-A

CAT. NO.	DESCRIPTION	"A"
160-1016	160A PIN (16MM WIRE)	8.4[.33]
160-1025	160A PIN (25MM WIRE)	11.0[.43]
160-1035	160A PIN (35MM WIRE)	12.5[.49]
160-1050	160A PIN (50MM WIRE)	14.5[.57]

DIMENSIONS ARE IN:	<input checked="" type="checkbox"/> INCH[MM]	MM[INCH]
UNLESS OTHERWISE STATED		
TOLERANCES:		
DECIMALS (INCH)	DECIMALS (MM)	ANGLES
XX ± .02	X ± .5	± 2°
SURFACE FINISH:		
MACHINED	128 [3.2]	✓
MOLDED	64 [1.6]	✓
MATERIAL: COPPER ALLOY		
FINISH: SILVER PLATE		

APPROVALS	
DRAWN	AMP 5/13/05
CHECKED	DJD 5/17/05
MFG APP	CHB 5/13/05
QC APP	UFN 5/13/05
ENG APP	DAM 5/13/05

<b>ANDERSON POWER PRODUCTS</b>		
TITLE		
EBC DIN CONTACT 160A PIN SALES OUTLINE		
SIZE	DWG NO.	REV.
A/A4	160-1000S1	0



-CAD GENERATED DRAWING-  
DO NOT MANUALLY UPDATE  
DO NOT SCALE

SCALE	CADFILE	SHEET
NONE	02307	1 OF 1

REV.	DESCRIPTION OF CHANGES	APPROVED	DATE
*	*****	***	*****