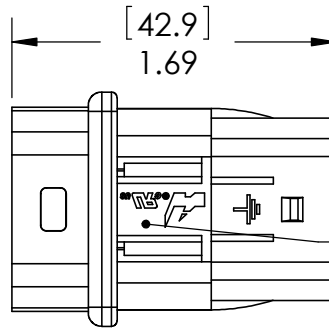
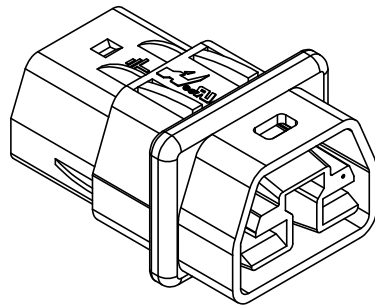


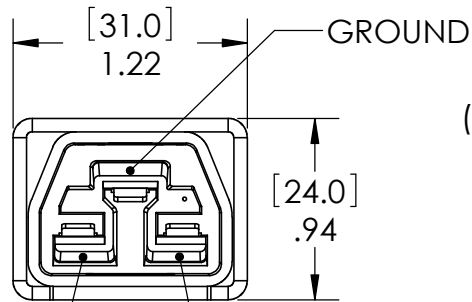
THE INFORMATION CONTAINED IN THIS DRAWING IS THE SOLE PROPERTY OF ANDERSON POWER PRODUCTS. ANY REPRODUCTION IN PART OR WHOLE WITHOUT THE WRITTEN PERMISSION OF ANDERSON POWER PRODUCTS IS PROHIBITED.

Copyright 2012

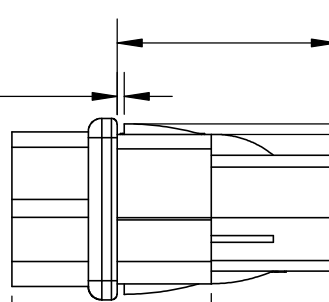
ANDERSON POWER PRODUCTS RESERVES THE RIGHT TO ALTER PRODUCT TYPES, THEIR TECHNICAL DATA, DIMENSION, STYLE AND ACCESSORIES WITHOUT PRIOR NOTIFICATION.



PART ID LOCATED HERE



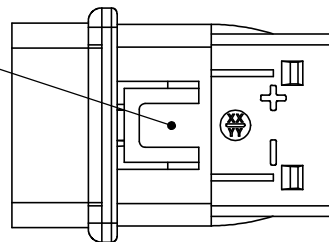
DIM "A"
(3) PLC'S
4



[1.40±0.38] 5
.055±0.15 (2 PLCS)

NEGATIVE (-) POSITIVE (+)

[14.0] .55 [12.4] .49 4



PART ID LOCATED HERE

NOTES:

- FOR USE WITH IEC320 C14 PANEL CUT-OUTS.
- *INDICATES NON STOCK ITEM. CONTACT FACTORY FOR AVAILABILITY.
- HOUSING MATERIAL: POLYCARBONATE
- SPRING MATERIAL: STAINLESS STEEL

CAT. NO. (SEE NOTE 2)	PANEL THICKNESS		DIM "A" ^{+0.006[0.15]} _{-.004[0.10]}		PART ID
	INCH	MM	INCH	MM	
2005G1	.031	0.80	.036	0.91	"0.8"
2005G2*	.047	1.20	.056	1.42	"1.2"
2005G3	.039	1.00	.044	1.13	"1.0"
2005G4*	.063	1.60	.072	1.82	"1.6"
2005G5*	.079	2.00	.088	2.24	"2.0"
2005G6*	.098	2.50	.107	2.72	"2.5"

REV.	DESCRIPTION	APPRV	DATE
5	ECN 2016-0076 - ADDED 1.40mm DIMENSION	CPD	12/7/2016
4	ECRN 15520	CLY	11/25/2013
3	ECRN 15280	CLY	12/10/2012
2	ECRN 14928	NTS	6/24/11
1	ECRN 14681	NTS	7/30/2010

REVISIONS

DIMENSIONS ARE IN:	INCH [MM]
UNLESS OTHERWISE STATED	
TOLERANCES:	
DECIMALS (INCH)	DECIMALS (MM) ANGLES
.XX ± .02	.X ± .5 ±2°
SURFACE FINISH:	
MACHINED	128µin [3.2µ]
MOLDED	64µin [1.6µ]
MATERIAL: SEE NOTES	
FINISH: N/A	

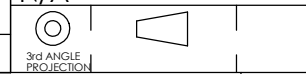
APPROVALS	
DRAWN	7/15/2010
CHECKED	7/15/2010
MFG APPRV	7/15/2010
QC APPRV	7/15/2010
ENG APPRV	7/15/2010

ANDERSON POWER PRODUCTS

TITLE
RECEPTACLE HOUSING FOR SAF-D-GRID® 2005 SERIES

SIZE A DWG NO. 114868S2 REV. 5

SCALE NONE CADFILE 03115 SHEET 1 OF 1



-CAD GENERATED DRAWING-
DO NOT MANUALLY UPDATE
DO NOT SCALE