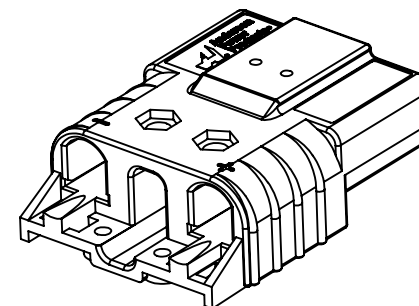
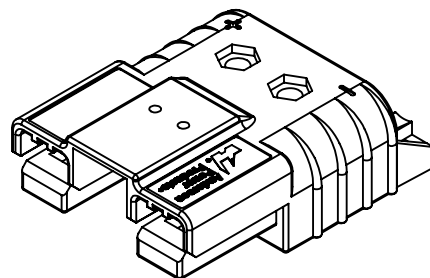
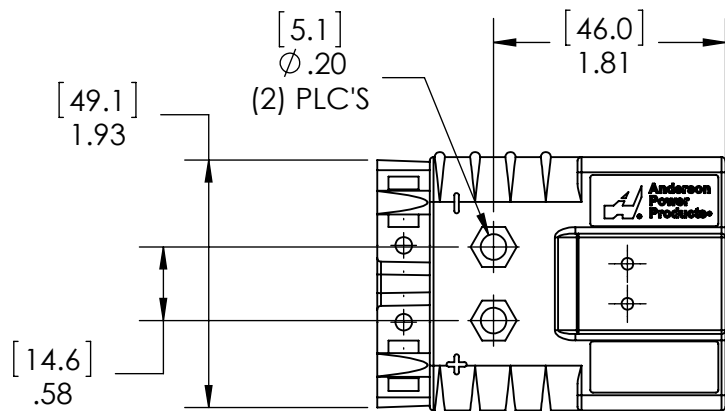


THE INFORMATION CONTAINED IN THIS DRAWING IS THE SOLE PROPERTY OF ANDERSON POWER PRODUCTS. ANY REPRODUCTION IN PART OR WHOLE WITHOUT THE WRITTEN PERMISSION OF ANDERSON POWER PRODUCTS IS PROHIBITED.

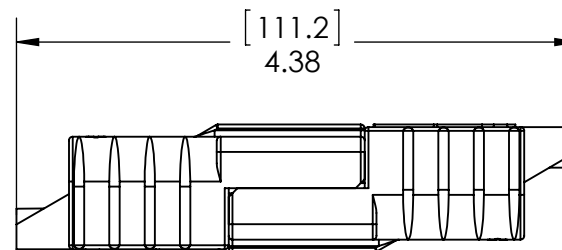
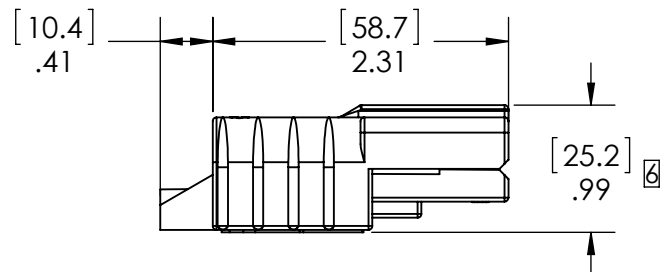
**Copyright 2004**

ANDERSON POWER PRODUCTS RESERVES THE RIGHT TO ALTER PRODUCT TYPES, THEIR TECHNICAL DATA, DIMENSION, STYLE AND ACCESSORIES WITHOUT PRIOR NOTIFICATION.

D



C



**NOTES:**

1. SBO 60 SPRING/HOUSING ASSEMBLIES ARE UL RECOGNIZED PER FILE E26226, CSA CERTIFIED PER LR25154.
2. HOUSINGS ARE KEYED TO ONLY ALLOW MATING WITH THE SAME COLOR HOUSING.
3. FOR ASSEMBLY INSTRUCTIONS SEE DOCUMENT 1S6331.
4. MATERIAL:  
HOUSINGS - PBT, UL94V0  
SPRINGS - STAINLESS STEEL
5. OPTIONAL AUXILIARY POWERPOLE HOUSINGS AND CONTACTS AVAILABLE.

B

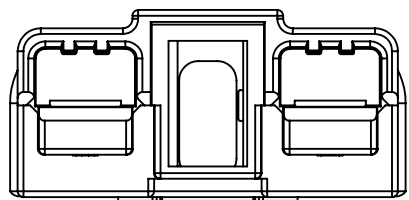
A

REVISIONS				DIMENSIONS ARE IN:	INCH [MM]	APPROVALS		ANDERSON POWER PRODUCTS							
REV.	DESCRIPTION	APPRV	DATE	UNLESS OTHERWISE STATED			DRAWN	TITLE							
				DECIMALS (INCH)	DECIMALS (MM)	ANGLES	AMP	SBE 80/SBO60 HOUSING AND SPRING ASSEMBLY OUTLINE DRAWING							
7	ECRN-15822A REVISE, REDRAW FOR NEW MOLD	AHR	5/7/2015	.XX ± .02	.X ± .5	±2°	4/14/2004	<b>TITLE</b> SBE 80/SBO60 HOUSING AND SPRING ASSEMBLY OUTLINE DRAWING							
6	ECRN-15733	TWE	10/17/2014	SURFACE FINISH:			CHECKED								
5	ECRN-15727	TWE	10/9/2014	MACHINED	128µin [3.2µ]	✓	DAM								
4	ECRN-14934 COLOR KEYING ADDED	TWE	7/11/11	MOLDED	64µin [1.6µ]	✓	4/15/2004								
3	ECRN-13812 CREATE SEPARATE SBE80 DWG	AMP	4/5/05	MATERIAL:			4/15/2004								
2	ECRN-13685 UPDATE LOGO	AMP	3/1/05	SEE NOTES			4/15/2004	SIZE	DWG NO.	REV.					
				FINISH:			RPO	A	114129S1	7					
				3rd ANGLE PROJECTION			-CAD GENERATED DRAWING- DO NOT MANUALLY UPDATE DO NOT SCALE		SCALE	CADFILE	SHEET				
							NONE		00999	1 OF 2					

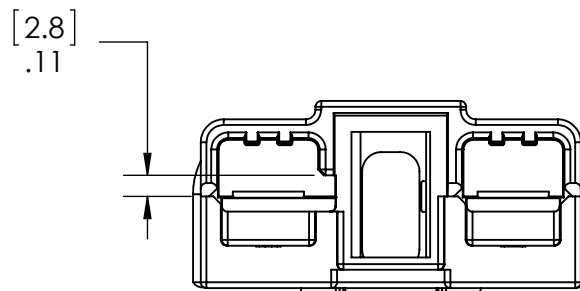
THE INFORMATION CONTAINED IN THIS DRAWING IS THE SOLE PROPERTY OF ANDERSON POWER PRODUCTS. ANY REPRODUCTION IN PART OR WHOLE WITHOUT THE WRITTEN PERMISSION OF ANDERSON POWER PRODUCTS IS PROHIBITED.

**Copyright 2011**

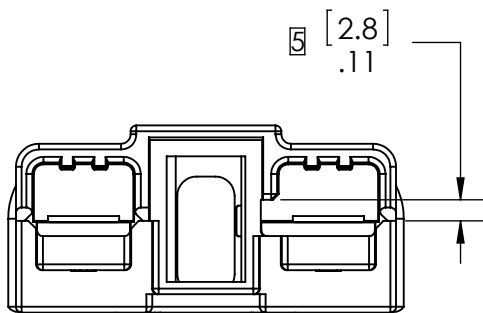
ANDERSON POWER PRODUCTS RESERVES THE RIGHT TO ALTER PRODUCT TYPES, THEIR TECHNICAL DATA, DIMENSION, STYLE AND ACCESSORIES WITHOUT PRIOR NOTIFICATION.



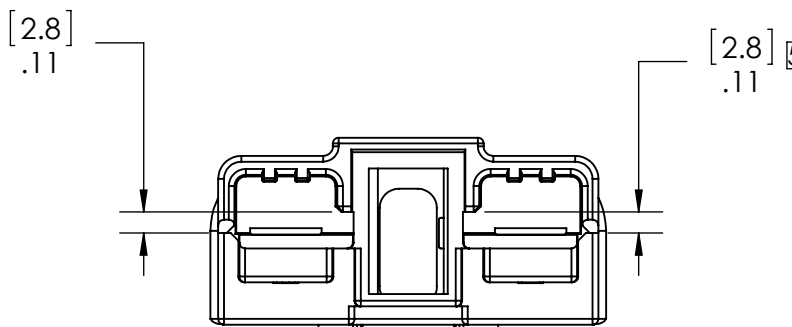
**RED KEY**



**ORANGE KEY**



**YELLOW KEY**



**GRAY KEY**

DIMENSIONS ARE IN:		INCH [MM]		<i>APPROVALS</i>		<b>ANDERSON POWER PRODUCTS</b>	
UNLESS OTHERWISE STATED				DRAWN		TITLE	
TOLERANCES:				AMP		4/14/04	
DECIMALS (INCH) DECIMALS (MM) ANGLES				CHECKED		DJD	
.XX ± .02 .X ± .5 ±2				MFG APPRV		4/15/04	
SURFACE FINISH:				MAW		4/15/04	
MACHINED 128µin [3.2µ]				QC APPRV		4/15/04	
MOLDED 64µin [1.6µ]				DAM		4/15/04	
MATERIAL:				ENG APPRV		SIZE	
SEE NOTES				RPO		A	
FINISH:				4/15/04		DWG NO.	
				-CAD GENERATED DRAWING- DO NOT MANUALLY UPDATE DO NOT SCALE		114129S1	
				SCALE		CADFILE	
				NONE		00999	
						REV.	
						6	
						SHEET	
						2 OF 2	

-	See Sheet1	-	-
REV.	DESCRIPTION	APPRV	DATE
REVISIONS			