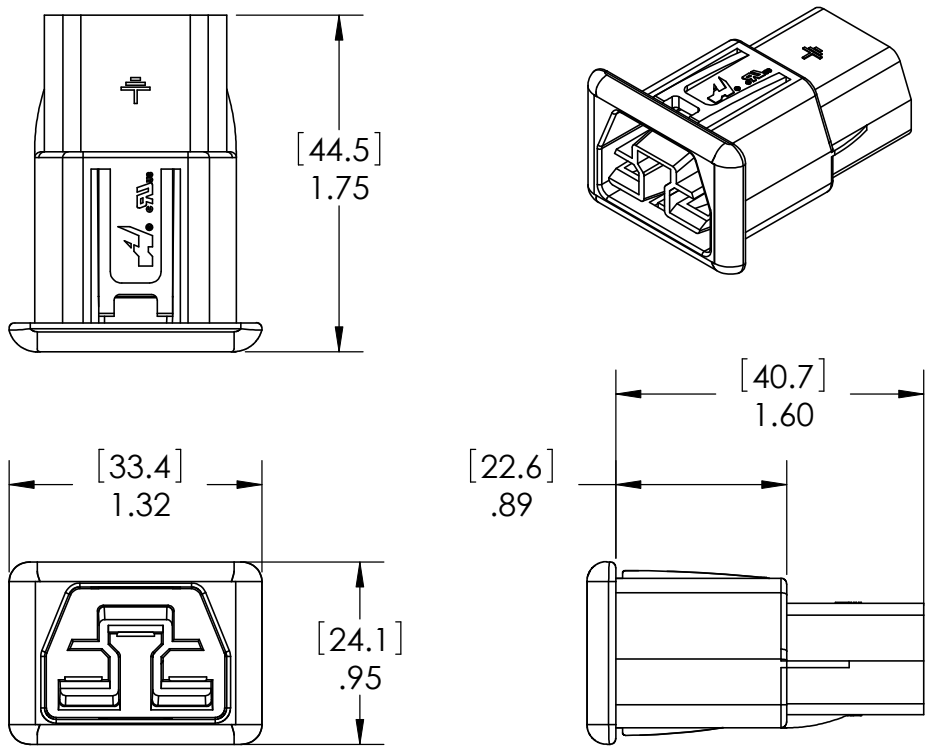


THE INFORMATION CONTAINED IN THIS DRAWING IS THE SOLE PROPERTY OF ANDERSON POWER PRODUCTS. ANY REPRODUCTION IN PART OR WHOLE WITHOUT THE WRITTEN PERMISSION OF ANDERSON POWER PRODUCTS IS PROHIBITED.

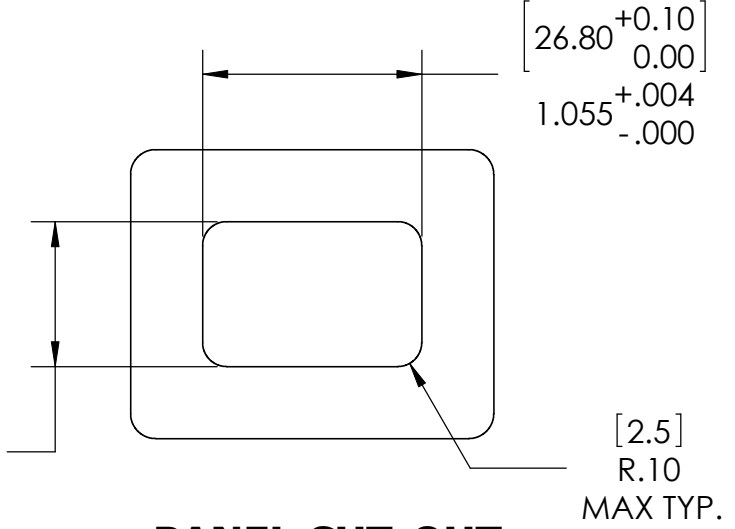
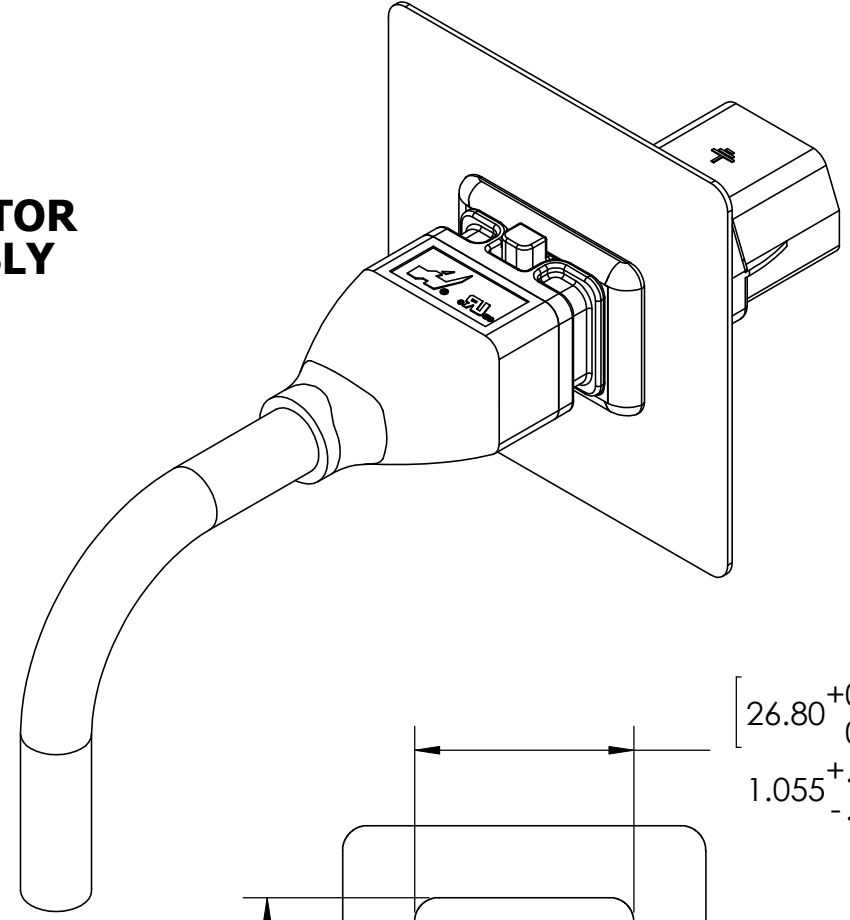
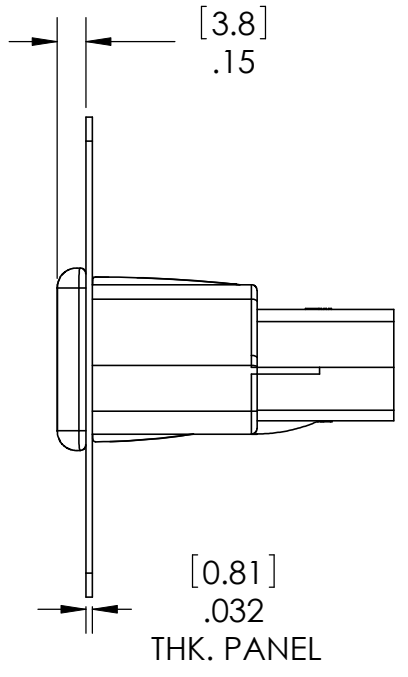
Copyright 2007

ANDERSON POWER PRODUCTS RESERVES THE RIGHT TO ALTER PRODUCT TYPES, THEIR TECHNICAL DATA, DIMENSION, STYLE AND ACCESSORIES WITHOUT PRIOR NOTIFICATION.

**RECEPTACLE HALF**

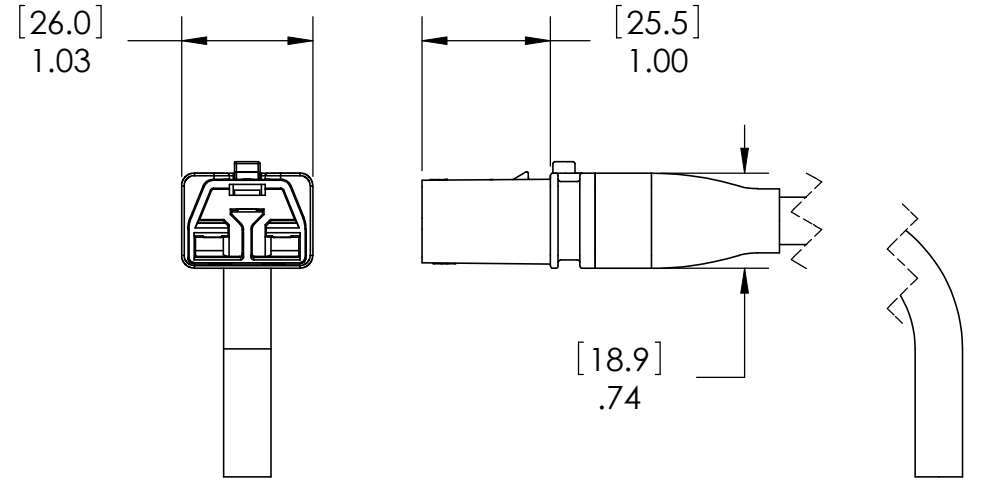


**CONNECTOR ASSEMBLY**

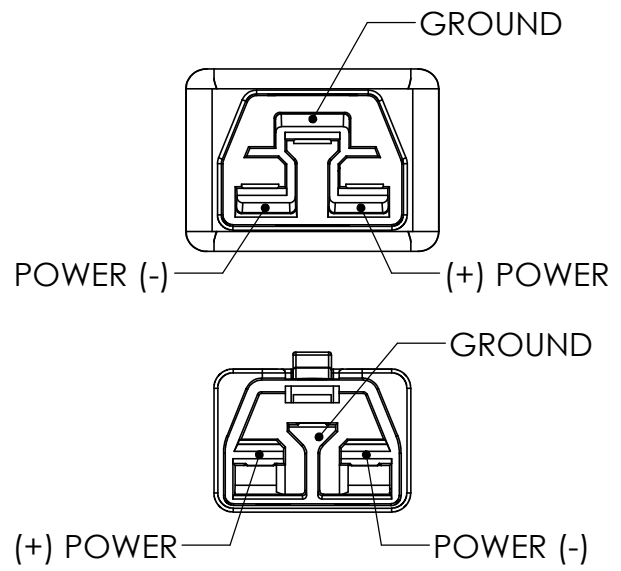


**PANEL CUT-OUT**

**PLUG HALF**

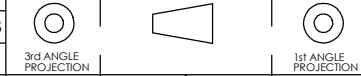


**WIRING DIAGRAM**



DIMENSIONS ARE IN:		INCH[MM]	APPROVALS		<p><b>ANDERSON POWER PRODUCTS</b></p> <p><b>400 VDC CONNECTOR WITH GROUND - C14 SIZE</b></p>		
UNLESS OTHERWISE STATED			DRAWN	AMS 05/19/08			
TOLERANCES:			CHECKED	BD 05/19/08			
DECIMALS (INCH)	DECIMALS (MM)	ANGLES	MFG APP	CHB 05/19/08			
.XX ± .02	.X ± .5	± 2°	QC APP	UFN 05/19/08			
SURFACE FINISH:			ENG APP	CMS 05/20/08	SIZE	DWG NO.	REV.
MACHINED 128 [3.2] ✓					B/A3	B02048S1	1
MOLDED 64 [1.6] ✓							
MATERIAL: SEE B/M					SCALE	CADFILE	SHEET
FINISH: SEE B/M					NONE	02739	1 OF 1

1	ECRN 14344 - REMOVE ENABLING CIRCUIT	AMS	11/12/08
REV.	DESCRIPTION OF CHANGES	APPROVED	DATE



-CAD GENERATED DRAWING-  
DO NOT MANUALLY UPDATE  
DO NOT SCALE