

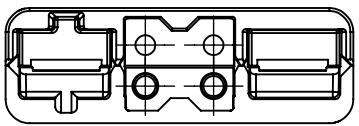
THE INFORMATION CONTAINED IN THIS DRAWING IS THE SOLE PROPERTY OF ANDERSON POWER PRODUCTS. ANY REPRODUCTION IN PART OR WHOLE WITHOUT THE WRITTEN PERMISSION OF ANDERSON POWER PRODUCTS IS PROHIBITED.

Copyright 2011

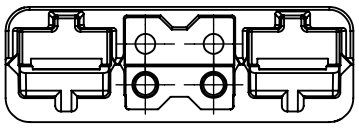
ANDERSON POWER PRODUCTS RESERVES THE RIGHT TO ALTER PRODUCT TYPES, THEIR TECHNICAL DATA, DIMENSION, STYLE AND ACCESSORIES WITHOUT PRIOR NOTIFICATION.

E  
D  
C  
B  
A

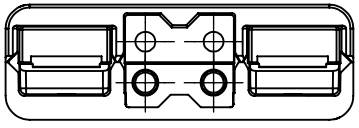
E  
D  
C  
B  
A



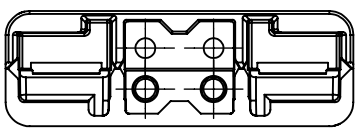
**BROWN KEY**



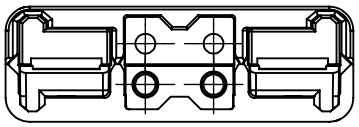
**WHITE KEY**



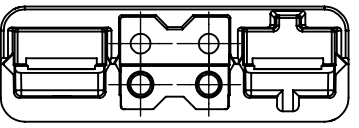
**BLUE KEY**



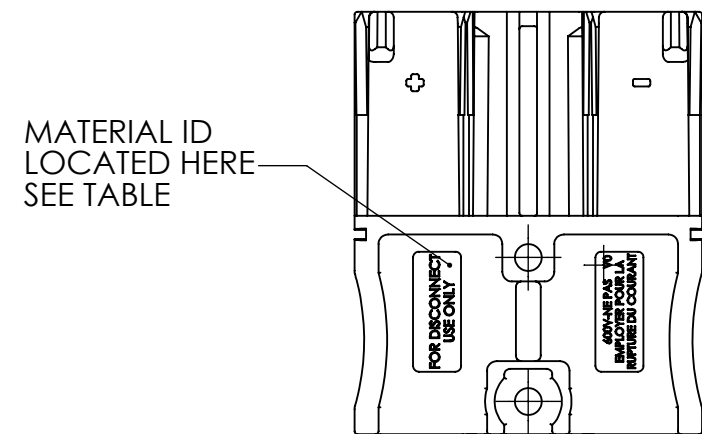
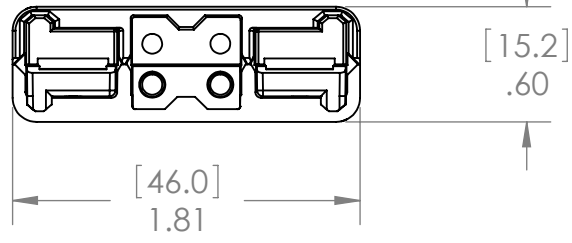
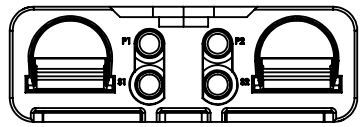
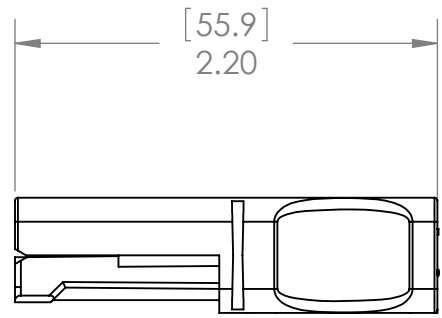
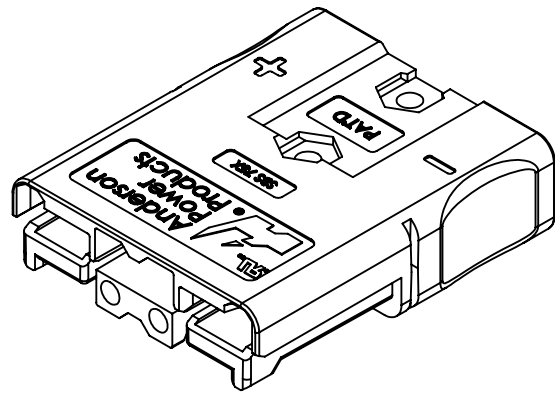
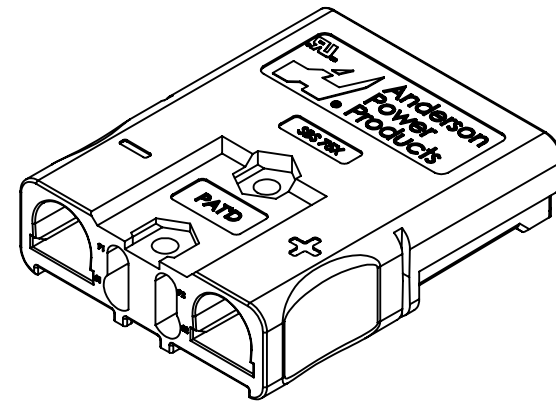
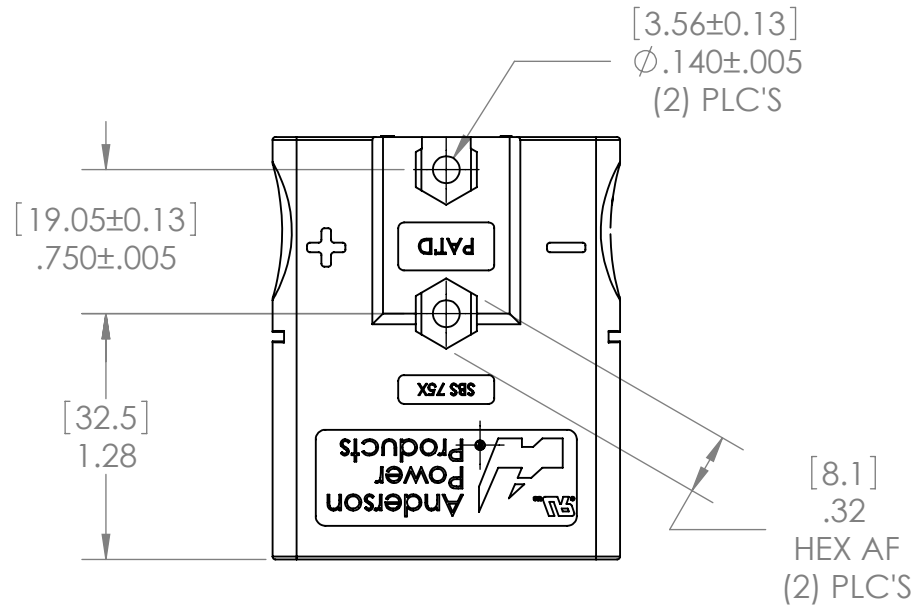
**GRAY KEY**



**BLACK KEY**



**GREEN KEY**



MATERIAL ID LOCATED HERE SEE TABLE

- NOTES:  
 1. HOUSING MATERIAL: SEE TABLE  
 2. SPRING MATERIAL: STAINLESS STEEL  
 3. CONTACT FACTORY FOR ADDITIONAL COLORS & KEYS

COLOR	VOLTAGE	APP PART NO.	MATERIAL	MATERIAL ID
GRAY	36	NOT RELEASED	POLYCARBONATE	NONE
BLUE	48	NOT RELEASED	POLYCARBONATE	NONE
GREEN	72	SBS75XGRN	POLYCARBONATE	NONE
		PSBS75XGRN	PBT + PC	"P"
BLACK	80	SBS75XBLK	POLYCARBONATE	NONE
		PSBS75XBLK	PBT + PC	"P"
BROWN	96	SBS75XBRN	POLYCARBONATE	NONE
		PSBS75XBRN	PBT + PC	"P"
WHITE	192	NOT RELEASED	POLYCARBONATE	NONE

REV.	DESCRIPTION	APPRV	DATE
7	ECRN 14926	LLD	6/21/2011
6	ECRN 14911	LLD	5/20/2011
5	ECRN 14848	NTS	3/4/2011
4	ECRN 14589	NTS	3/25/10
3	ECRN 14257	AMS	5/13/08
2	ECRN 14228	AMS	2/4/08
1	ECRN 14210	AMS	12/18/07

REVISIONS

DIMENSIONS ARE IN: MM [INCH]		APPROVALS		ANDERSON POWER PRODUCTS	
UNLESS OTHERWISE STATED		DRAWN	AMS	9/27/2007	<p>TITLE SBS 75X DUAL POLE HOUSING OUTLINE</p>
TOLERANCES:		CHECKED	CMS	10/2/2007	
DECIMALS (INCH) DECIMALS (MM) ANGLES		MFG APPRV	CHB	9/27/2007	
.XX ± .015 .X ± .38 ±.5° .XXX ± .005 .XX ± .13		QC APPRV	UFN	10/2/2007	
SURFACE FINISH:		ENG APPRV	DAM	9/27/2007	SIZE B
MACHINED 64 [1.6] MOLDED 32 [0.8]		FINISH:		DWG NO. B02044S2	REV. 7
MATERIAL: SEE NOTES		-CAD GENERATED DRAWING- DO NOT MANUALLY UPDATE DO NOT SCALE		SCALE 1:1	CADFILE 02716
FINISH:		3rd ANGLE PROJECTION		SHEET 1 OF 1	

8 7 6 5 4 3 2 1