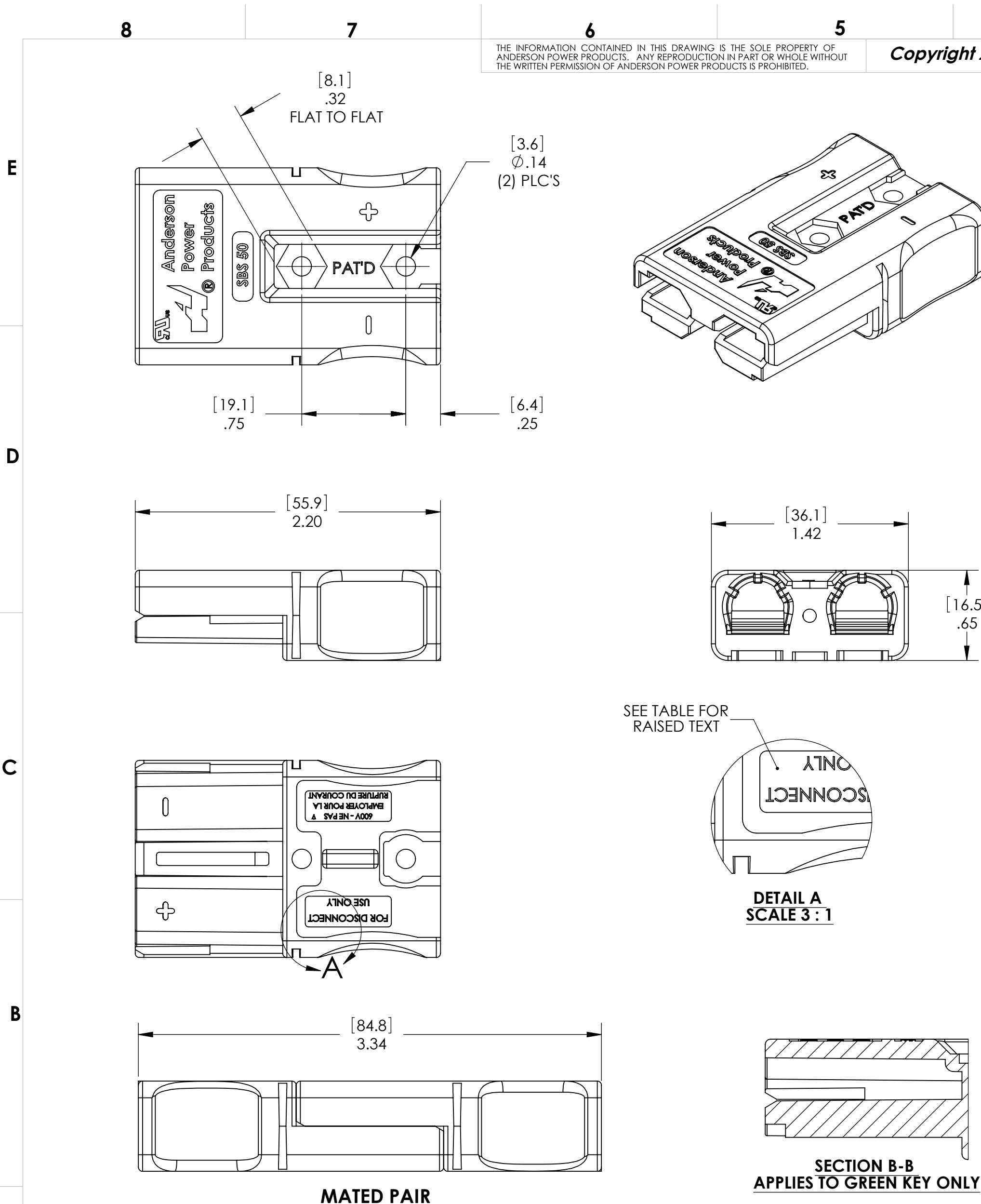


THE INFORMATION CONTAINED IN THIS DRAWING IS THE SOLE PROPERTY OF ANDERSON POWER PRODUCTS. ANY REPRODUCTION IN PART OR WHOLE WITHOUT THE WRITTEN PERMISSION OF ANDERSON POWER PRODUCTS IS PROHIBITED.

Copyright 2009

ANDERSON POWER PRODUCTS RESERVES THE RIGHT TO ALTER PRODUCT TYPES, THEIR TECHNICAL DATA, DIMENSION, STYLE AND ACCESSORIES WITHOUT PRIOR NOTIFICATION.



| CAT.NO. | MAT'L | TEXT | KEYING CONFIGURATION | COLOR |
|-----------|-------|-------|----------------------|-------|
| SBS50GRA | PC | BLANK | | GRAY |
| PSBS50GRA | PBT | "P" | | GRAY |
| SBS50BLU | PC | BLANK | | BLUE |
| PSBS50BLU | PBT | "P" | | BLUE |
| SBS50BLK | PC | BLANK | | BLACK |
| PSBS50BLK | PBT | "P" | | BLACK |
| SBS50BRN | PC | BLANK | | BROWN |
| PSBS50BRN | PBT | "P" | | BROWN |
| SBS50RED | PC | BLANK | | RED |
| PSBS50RED | PBT | "P" | | RED |
| SBS50WHT | PC | BLANK | | WHITE |
| PSBS50WHT | PBT | "P" | | WHITE |
| SBS50GRN | PC | BLANK | | GREEN |
| PSBS50GRN | PBT | "P" | | GREEN |

NOTES:

1. SPRING/HOUSING ASSEMBLIES ARE cURus RECOGNIZED PER FILE E26226.
2. HOUSINGS ARE KEYPED TO ONLY ALLOW MATING WITH THE SAME COLOR HOUSING.
3. FOR ASSEMBLY INSTRUCTIONS SEE DOCUMENT 1S1030A.
4. HOUSING ASSEMBLIES ACCOMODATE ANDERSON CONTACTS FOR WIRE RANGE FROM #6 AWG TO #16 AWG.

| REV. | DESCRIPTION OF CHANGES | APPROVED | DATE |
|------|--|----------|----------|
| 6 | ECRN 14598 - MODIFIED GREEN KEY, ADDED SECTION B-B | NTS | 4/6/10 |
| 5 | ECRN 14583 - ADDED GREEN KEY | CHB | 03/10/10 |
| 4 | ECRN 14391 - REDRAW, UPDATE BORDER, ADD TABLE | AMS | 03/03/09 |

| | | | | | |
|---|---------------|-----------|-----|---|--|
| DIMENSIONS ARE IN: INCH[MM] | | APPROVALS | | ANDERSON POWER PRODUCTS | |
| UNLESS OTHERWISE STATED | | DRAWN | AGB | 12/16/02 | TITLE SBS50 DUAL POLE SPRING & HOUSING |
| TOLERANCES: | | CHECKED | DJD | 12/18/02 | |
| DECIMALS (INCH) | DECIMALS (MM) | MFG APP | DAM | 12/19/02 | |
| .XX ± .02 | .X ± .5 | QC APP | RPO | 12/18/02 | |
| SURFACE FINISH: | | ENG APP | MAW | 12/18/02 | SIZE C/A2 |
| MACHINED | 128 [3.2] | | | DWG NO. 2-8467S1 | REV. 6 |
| MOLDED | 64 [1.6] | | | SCALE NONE | SHEET 1 of 1 |
| MATERIAL: SPRINGS - STAINLESS STEEL HOUSINGS - SEE TABLE | | FINISH: | | -CAD GENERATED DRAWING- DO NOT MANUALLY UPDATE DO NOT SCALE | |