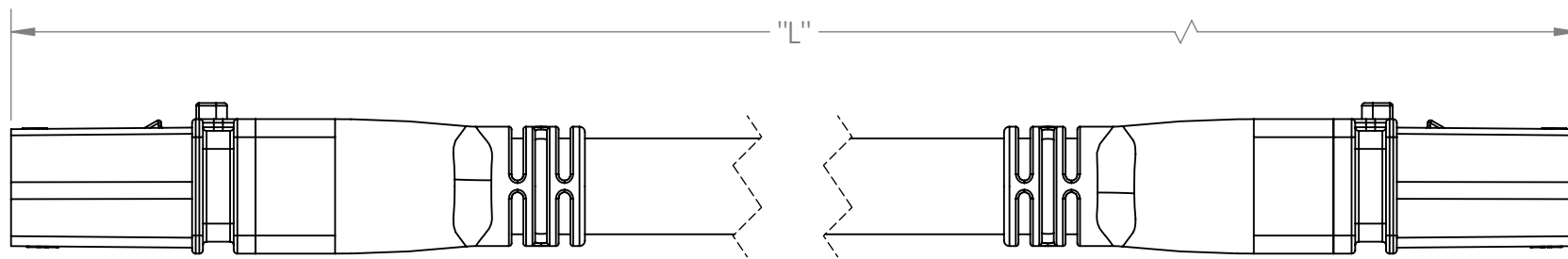


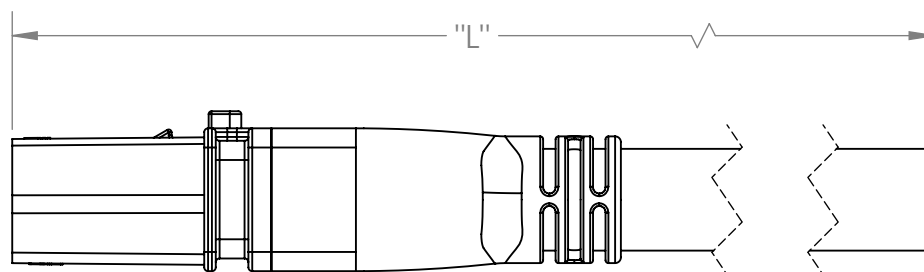
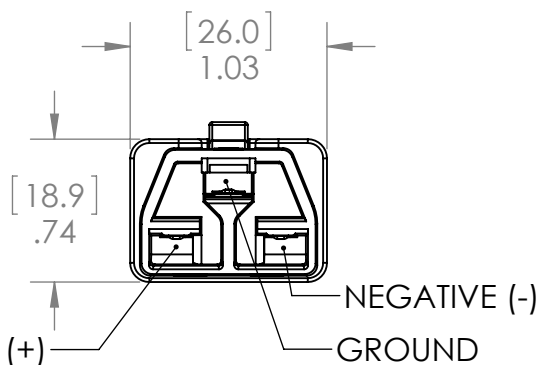
THE INFORMATION CONTAINED IN THIS DRAWING IS THE SOLE PROPERTY OF ANDERSON POWER PRODUCTS. ANY REPRODUCTION IN PART OR WHOLE WITHOUT THE WRITTEN PERMISSION OF ANDERSON POWER PRODUCTS IS PROHIBITED.

Copyright 2012

ANDERSON POWER PRODUCTS RESERVES THE RIGHT TO ALTER PRODUCT TYPES, THEIR TECHNICAL DATA, DIMENSION, STYLE AND ACCESSORIES WITHOUT PRIOR NOTIFICATION.



DOUBLE-ENDED PLUG ASSEMBLY



SINGLE-ENDED PLUG ASSEMBLY

PART NUMBER		LENGTH "L"		WIRE SIZE
SINGLE-ENDED	DOUBLE-ENDED	M	FT	
2040G2	2041G2	2.00	6.56	1.5 MM ²
2040G3	2041G3	3.00	9.84	
2040G6	2041G6	6.00	19.68	
2042G2	2043G2	2.00	6.56	1.0 MM ²
2042G3	2043G3	3.00	9.84	
2042G6	2043G6	6.00	19.68	

NOTE:
 CABLES ARE 3-CONDUCTOR,
 1 PVC JACKET, CE RATED TO 300/500V, 75°C

DIMENSIONS ARE IN:	INCH [MM]	APPROVALS		ANDERSON POWER PRODUCTS TITLE PLUG ASSEMBLIES FOR 400 VDC CONNECTOR, PVC CABLE, CE RATED
UNLESS OTHERWISE STATED		DRAWN	7/12/2010	
TOLERANCES:		CHECKED	7/14/2010	
DECIMALS (INCH) DECIMALS (MM) ANGLES		MFG APPRV	7/13/2010	
		QC APPRV	7/15/2010	
SURFACE FINISH:		ENG APPRV	7/15/2010	
MACHINED 128µin [3.2µ]		BD		
MOLDED 64µin [1.6µ]				
MATERIAL: POLYCARBONATE OVER-MOLDED WITH PVC				
FINISH:	N/A	SIZE	DWG NO.	REV.
		A	114869S4	1
3rd ANGLE PROJECTION		SCALE	CADFILE	SHEET
		NONE	03113	1 OF 1

1	ECRN 15040	CLY	1/17/2012
REV.	DESCRIPTION	APPRV	DATE
REVISIONS			