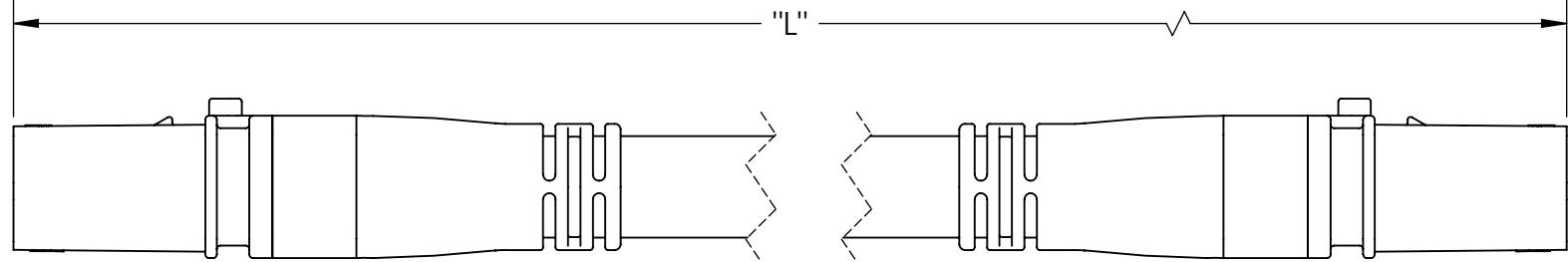


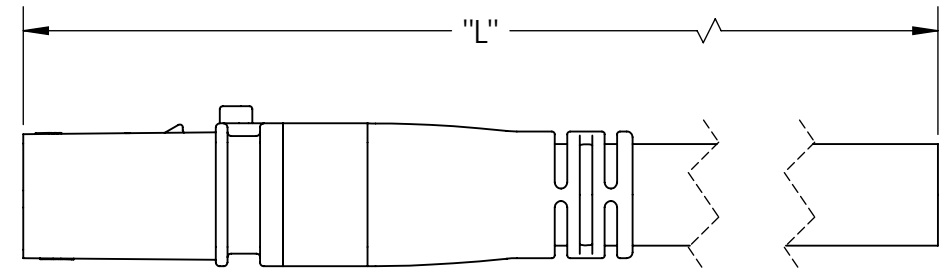
THE INFORMATION CONTAINED IN THIS DRAWING IS THE SOLE PROPERTY OF ANDERSON POWER PRODUCTS. ANY REPRODUCTION IN PART OR WHOLE WITHOUT THE WRITTEN PERMISSION OF ANDERSON POWER PRODUCTS IS PROHIBITED.

**Copyright 2009**

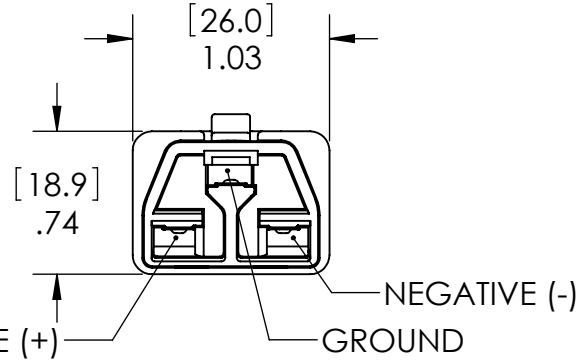
ANDERSON POWER PRODUCTS RESERVES THE RIGHT TO ALTER PRODUCT TYPES, THEIR TECHNICAL DATA, DIMENSION, STYLE AND ACCESSORIES WITHOUT PRIOR NOTIFICATION.



DOUBLE-ENDED PLUG ASSEMBLY



SINGLE-ENDED PLUG ASSEMBLY



PART NUMBERS		LENGTH "L"		WIRE SIZE	NOMINAL $\phi$ SEE NOTE 2
SINGLE-ENDED	DOUBLE-ENDED	M	FT		
2020G1		1.50	4.92	2.0 MM <sup>2</sup>	[11.0] .44
2020G2	2021G2	2.00	6.56		
2020G3	2021G3	3.00	9.84		
2020G6	2021G6	6.00	19.68	0.75MM <sup>2</sup>	---
2022G2	2023G2	2.00	6.56		
2022G3	2023G3	3.00	9.84		
2022G6	2023G6	6.00	19.68	1.25MM <sup>2</sup>	---
2024G2	2025G2	2.00	6.56		
2024G3	2025G3	3.00	9.84		
2024G6	2025G6	6.00	19.68		

- NOTES:
- CABLES ARE 3-CONDUCTOR, PVC JACKET, PSE RATED TO 600V
  - NOMINAL DIAMETER IS FOR REFERENCE ONLY

REV.	DESCRIPTION	APPRV	DATE
4	ECRN 14711	NTS	9/27/10
3	ECRN 14655	NTS	7/2/10
2	ECRN 14540	AMS	12/15/09
1	ECRN 14539	AMS	12/15/09

REVISIONS

DIMENSIONS ARE IN:	INCH [MM]	<b>APPROVALS</b>		 <b>ANDERSON POWER PRODUCTS</b>	
UNLESS OTHERWISE STATED		DRAWN	AMS 8/13/2009		<b>TITLE</b> 400 VDC PLUG CABLE ASSEMBLIES PVC CABLE PSE RATED
TOLERANCES:		CHECKED	DJD 8/13/2009		
DECIMALS (INCH) .XX ± .02		MFG APPRV	CHB 8/13/2009		
DECIMALS (MM) .X ± .5		QC APPRV	UFN 8/14/2009		
ANGLES ±2°		ENG APPRV	DAM 8/14/2009	SIZE A	
SURFACE FINISH:		DWG NO.	114869S2	REV. 4	
MACHINED 128 [3.2] ✓		SCALE	NONE	CADFILE	
MOLDED 64 [1.6] ✓		CADFILE	02951	SHEET	
MATERIAL: POLYCARBONATE WITH PVC OVERMOLD		-CAD GENERATED DRAWING- DO NOT MANUALLY UPDATE DO NOT SCALE		1 OF 1	
FINISH: N/A		3rd ANGLE PROJECTION			