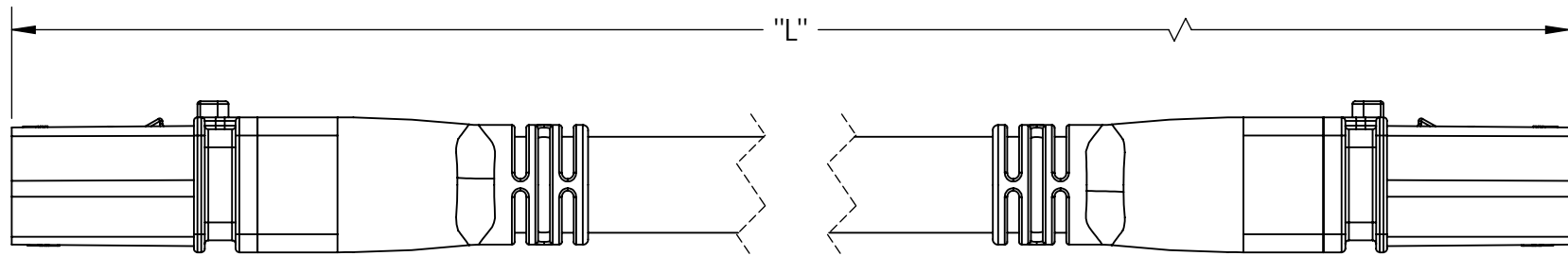


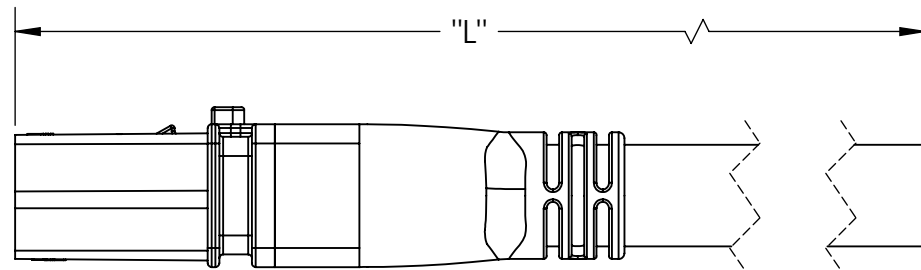
THE INFORMATION CONTAINED IN THIS DRAWING IS THE SOLE PROPERTY OF ANDERSON POWER PRODUCTS. ANY REPRODUCTION IN PART OR WHOLE WITHOUT THE WRITTEN PERMISSION OF ANDERSON POWER PRODUCTS IS PROHIBITED.

**Copyright 2009**

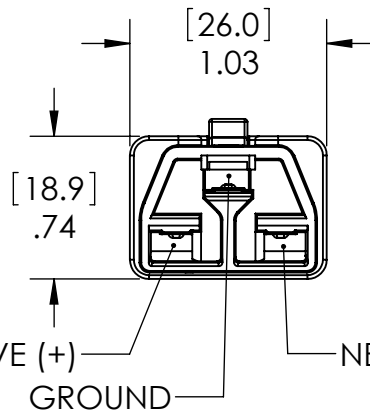
ANDERSON POWER PRODUCTS RESERVES THE RIGHT TO ALTER PRODUCT TYPES, THEIR TECHNICAL DATA, DIMENSION, STYLE AND ACCESSORIES WITHOUT PRIOR NOTIFICATION.



DOUBLE-ENDED PLUG ASSEMBLY



SINGLE-ENDED PLUG ASSEMBLY



PART NUMBERS		LENGTH "L"		WIRE SIZE	NOMINAL $\phi$ SEE NOTE 2
SINGLE-ENDED	DOUBLE-ENDED	M	FT		
2000G2	2001G2	2.00	6.56	#14 AWG	[13.5] .53
2000G3	2001G3	3.00	9.84		
2000G5	2001G5	5.00	16.40		
2000G6	2001G6	6.00	19.68		

NOTES:

- CABLES ARE 3-CONDUCTOR, SOOW JACKET, UL RATED TO 600V/90°C
- NOMINAL DIAMETER IS FOR REFERENCE ONLY

REV.	DESCRIPTION	APPRV	DATE
5	ECRN 14711	NTS	9/27/2010
4	ECRN 14655	NTS	7/2/10
3	ECRN 14600	NTS	4/8/10
2	ECRN 14475	AMS	8/14/09
1	ECRN 14428	AMS	5/4/09

REVISIONS

DIMENSIONS ARE IN:	INCH [MM]	<b>APPROVALS</b>		<b>ANDERSON POWER PRODUCTS</b>
UNLESS OTHERWISE STATED		DRAWN	AMS 4/27/2009	
TOLERANCES:		CHECKED	DJD 4/27/2009	
DECIMALS (INCH) .XX ±.02	DECIMALS (MM) .X ±.5	ANGLES ±2°	MFG APPRV	
SURFACE FINISH:			CHB 4/27/2009	
MACHINED 128 [3.2] ✓			QC APPRV	
MOLDED 64 [1.6] ✓			UFN 4/27/2009	
MATERIAL: POLYCARBONATE OVERMOLDED WITH THERMOPLASTIC ELASTOMER			ENG APPRV	
FINISH: N/A			DAM 4/27/2009	SIZE A
3rd ANGLE PROJECTION			-CAD GENERATED DRAWING- DO NOT MANUALLY UPDATE DO NOT SCALE	DWG NO. 114869S1
				REV. 5
				SCALE NONE
				CADFILE 02906
				SHEET 1 OF 1