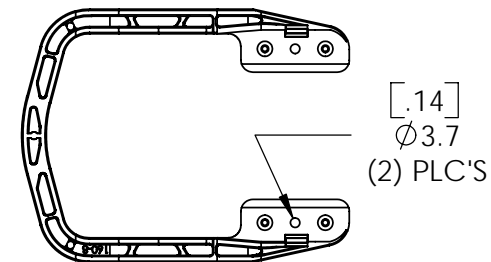
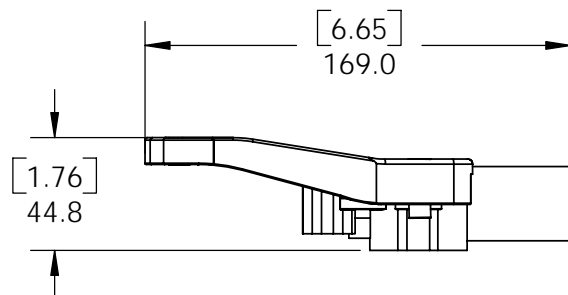
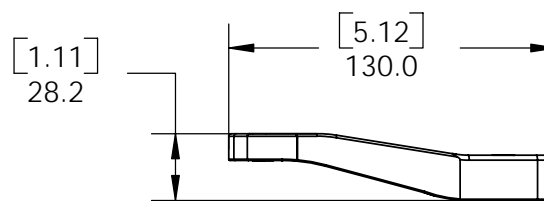
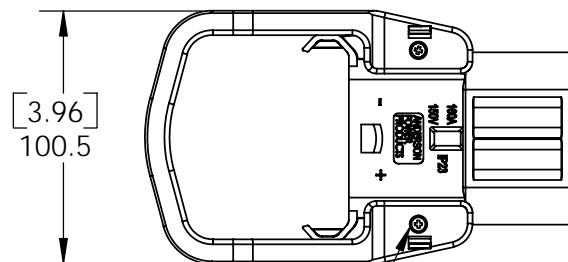
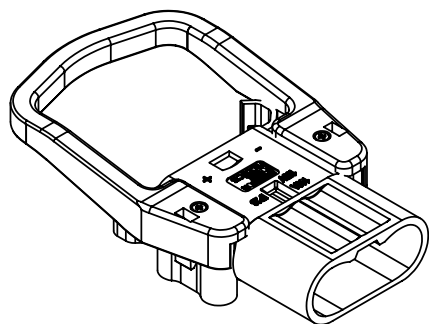


THE INFORMATION CONTAINED IN THIS DRAWING IS THE SOLE PROPERTY OF ANDERSON POWER PRODUCTS. ANY REPRODUCTION IN PART OR WHOLE WITHOUT THE WRITTEN PERMISSION OF ANDERSON POWER PRODUCTS IS PROHIBITED.

Copyright 2006

ANDERSON POWER PRODUCTS RESERVES THE RIGHT TO ALTER PRODUCT TYPES, THEIR TECHNICAL DATA, DIMENSION, STYLE AND ACCESSORIES WITHOUT PRIOR NOTIFICATION.



NOTES:

- KIT INCLUDES HANDLE AND (2) SELF-TAPPING SCREWS
- FOR USE WITH 160A & 320A CONNECTORS

PART NO.	DESCRIPTION	COLOR	MATERIAL
E160-89	160/320 HANDLE KIT	GRAY	PBT-PC BLEND
16-89	160/320 HANDLE KIT	BLACK	NYLON

DIMENSIONS ARE IN:	MM[INCH]
UNLESS OTHERWISE STATED	
TOLERANCES:	
DECIMALS (INCH)	DECIMALS (MM) ANGLES
XX ±.02	X ±.5 ±2°
SURFACE FINISH:	
MACHINED	128 [3.2] ✓
MOLDED	64 [1.6] ✓
MATERIAL: SEE DATA SHEETS FOR MATERIAL SPECS	
FINISH: N/A	
3rd ANGLE PROJECTION	

APPROVALS	
DRAWN	AMS 01/20/06
CHECKED	DJD 01/20/06
MFG APP	CHB 01/19/06
QC APP	UFN 01/20/06
ENG APP	DAM 01/19/06

ANDERSON POWER PRODUCTS		
TITLE		
SALES OUTLINE LOW PROFILE HANDLE FOR 160A & 320A CONNECTORS		
SIZE	DWG NO.	REV.
A/A4	E160-8S1	2
SCALE	CADFILE	SHEET
NONE	02497	1 OF 1

REV.	DESCRIPTION OF CHANGES	APPROVED	DATE
2	ECRN 14064 - UPDATE CATALOG NUMBERS	AMS	10/11/06
1	ECRN 13995 - INCORRECT P/N LISTED	AMS	04/24/06