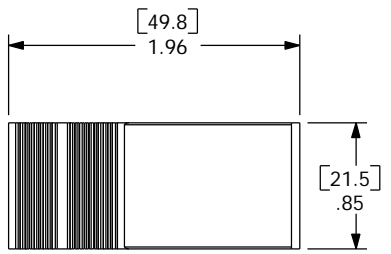
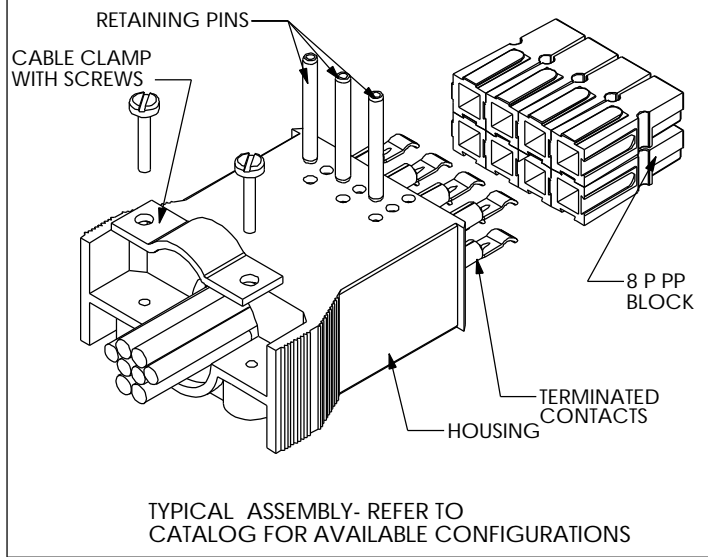
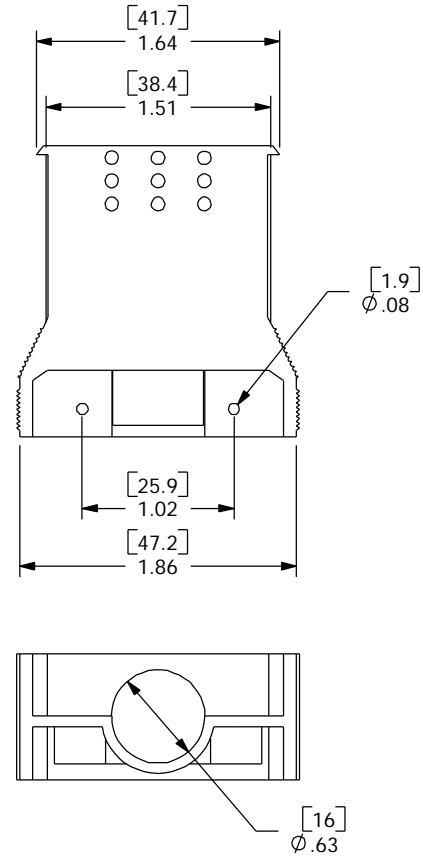


THE INFORMATION CONTAINED IN THIS DRAWING IS THE SOLE PROPERTY OF ANDERSON POWER PRODUCTS. ANY REPRODUCTION IN PART OR WHOLE WITHOUT THE WRITTEN PERMISSION OF ANDERSON POWER PRODUCTS IS PROHIBITED.

REV	DESCRIPTION OF CHANGES	BY	DATE



NEXT ASSY	USED ON
APPLICATION	DO NOT SCALE DRAWING

ITEM NO.	PART OR IDENTIFYING NO.	NOMENCLATURE OR DESCRIPTION	MATERIAL SPECIFICATION	QTY REQD
COPYRIGHT 1999 ANDERSON POWER PRODUCTS. ALL RIGHTS RESERVED. UNAUTHORIZED REPRODUCTION HEREBY PROHIBITED.				
DIMENSIONS ARE IN INCHES DIMENSIONS IN PARENTHESES () ARE IN MILLIMETERS		CAD GENERATED DRAWING. DO NOT MANUALLY UPDATE	ANDERSON POWER PRODUCTS	
TOLERANCES ARE: 2PL ±.02 [±.5]		APPROVALS	DATE	
MATERIALS: POLYCARBONATE		DRAWN CMS	8/4/99	
FINISH NONE		CHECKED DJD	8/5/99	
APPLICATION		RESP'NG UFN	8/13/99	
DO NOT SCALE DRAWING		MFGS ENG CHB	8/5/99	
		QUAL ENG RO	8/10/99	
			SIZE 'A'	SPECIFICATION: 114166S3
			SCALE NONE	REV: 0
			CADFILES/01093	SHEET 1 OF 1