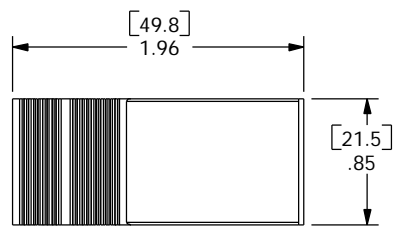
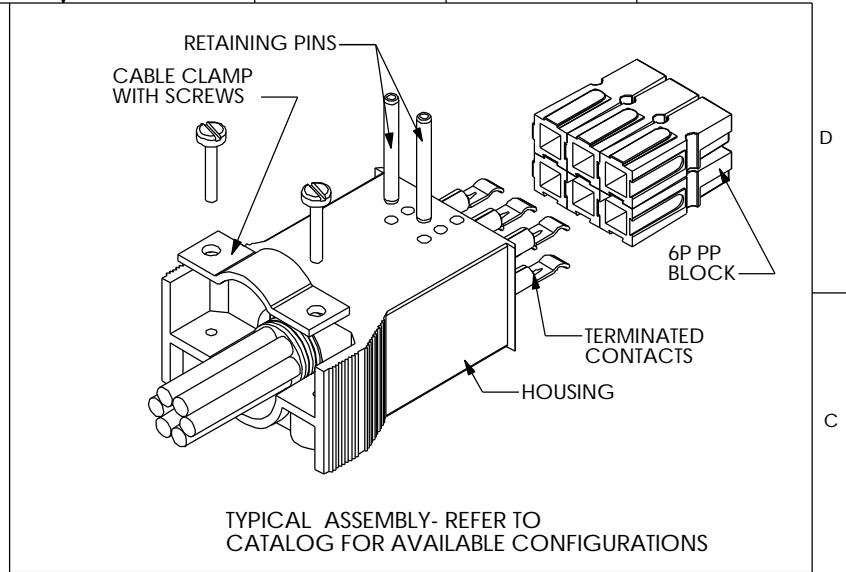
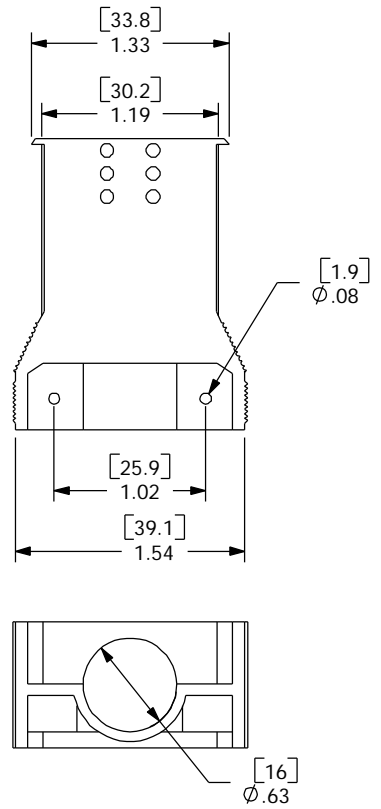


THE INFORMATION CONTAINED IN THIS DRAWING IS THE SOLE PROPERTY OF ANDERSON POWER PRODUCTS. ANY REPRODUCTION IN PART OR WHOLE WITHOUT THE WRITTEN PERMISSION OF ANDERSON POWER PRODUCTS IS PROHIBITED.

REV.	DESCRIPTION OF CHANGES	BY:	DATE



ITEM NO.	PART OR IDENTIFYING NO.	NOMENCLATURE OR DESCRIPTION	MATERIAL SPECIFICATION	QTY REQD
COPYRIGHT 1999 ANDERSON POWER PRODUCTS. ALL RIGHTS RESERVED. UNAUTHORIZED REPRODUCTION HEREBY PROHIBITED.				
DIMENSIONS ARE IN INCHES DIMENSIONS IN PARENTHESES [] ARE IN MILLIMETERS		CAD GENERATED DRAWING, DO NOT MANUALLY UPDATE	ANDERSON POWER PRODUCTS	
TOLERANCES ARE: 2PL- ±.02 [±.5]		APPROVALS	DATE	
MATERIALS: <i>POLYCARBONATE</i>		DRAWN	8/4/99	
FINISH <i>NONE</i>		CHECKED	8/5/99	
NEXT ASSY		RESP ENG	8/13/99	
USED ON		MFG ENG	8/5/99	
APPLICATION		QUAL ENG	8/10/99	
DO NOT SCALE DRAWING		SCALE	NONE	
		CADFILES/01092	SHEET 1 OF 1	

**CATALOG NUMBER 1461G2
2X3 POWERPOLE PAK PLUG
WITHOUT LATCH**

SIZE A SPECIFICATION: 114166S2 REV. 0