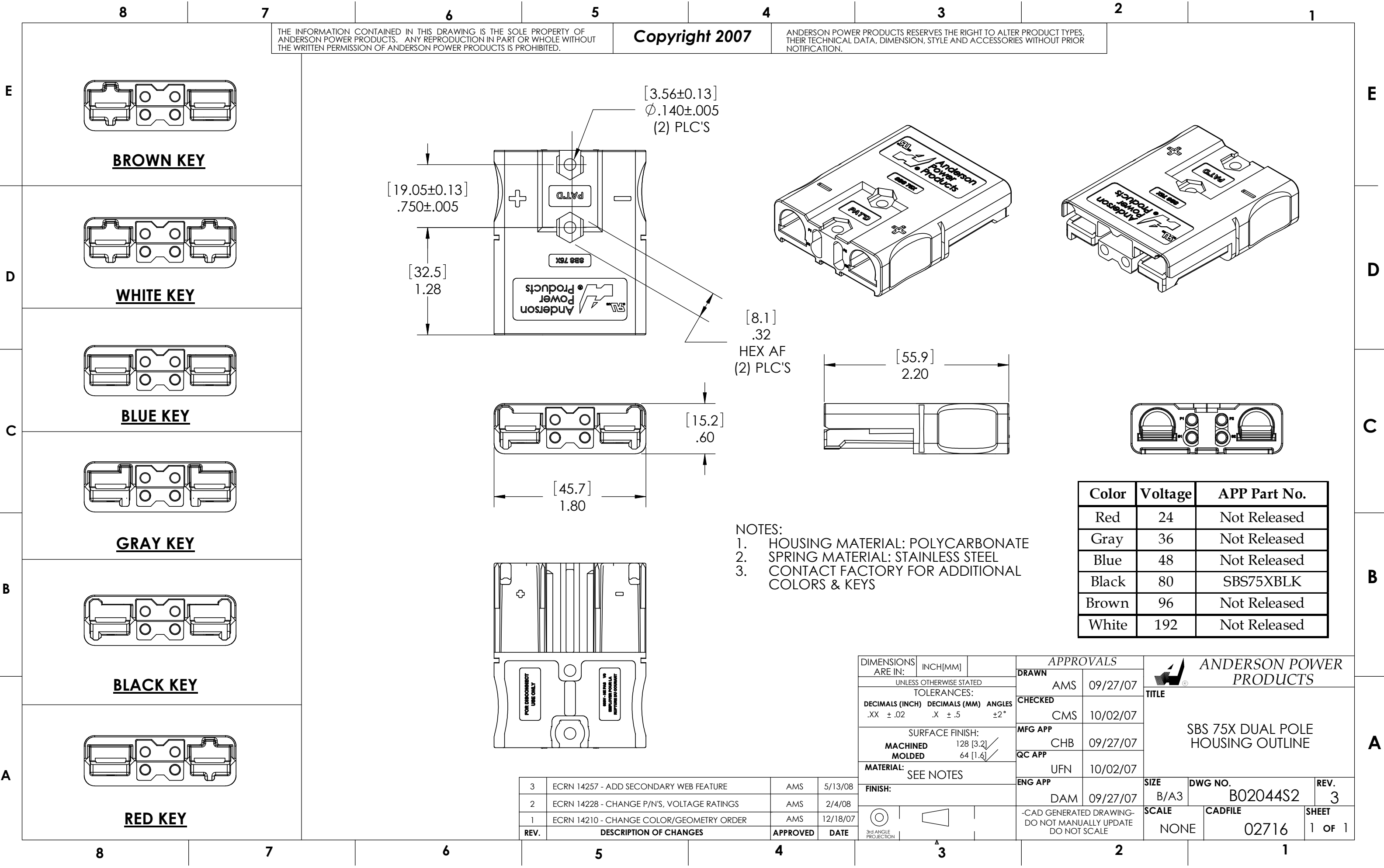


THE INFORMATION CONTAINED IN THIS DRAWING IS THE SOLE PROPERTY OF ANDERSON POWER PRODUCTS. ANY REPRODUCTION IN PART OR WHOLE WITHOUT THE WRITTEN PERMISSION OF ANDERSON POWER PRODUCTS IS PROHIBITED.

Copyright 2007

ANDERSON POWER PRODUCTS RESERVES THE RIGHT TO ALTER PRODUCT TYPES, THEIR TECHNICAL DATA, DIMENSION, STYLE AND ACCESSORIES WITHOUT PRIOR NOTIFICATION.



- NOTES:
1. HOUSING MATERIAL: POLYCARBONATE
 2. SPRING MATERIAL: STAINLESS STEEL
 3. CONTACT FACTORY FOR ADDITIONAL COLORS & KEYS

Color	Voltage	APP Part No.
Red	24	Not Released
Gray	36	Not Released
Blue	48	Not Released
Black	80	SBS75XBLK
Brown	96	Not Released
White	192	Not Released

DIMENSIONS ARE IN:		APPROVALS		ANDERSON POWER PRODUCTS	
INCH	[MM]	DRAWN	AMS	09/27/07	TITLE SBS 75X DUAL POLE HOUSING OUTLINE
UNLESS OTHERWISE STATED		CHECKED	CMS	10/02/07	
TOLERANCES:		MFG APP	CHB	09/27/07	
DECIMALS (INCH) DECIMALS (MM) ANGLES		QC APP	UFN	10/02/07	
.XX ±.02	.X ±.5 ±2°	ENG APP	DAM	09/27/07	SIZE B/A3
SURFACE FINISH:		MATERIAL: SEE NOTES		DWG NO. B02044S2	REV. 3
MACHINED 128 [3.2]		FINISH:		SCALE NONE	CADFILE 02716
MOLDED 64 [1.6]		3rd ANGLE PROJECTION		SHEET 1 OF 1	
-CAD GENERATED DRAWING- DO NOT MANUALLY UPDATE DO NOT SCALE					

REV.	DESCRIPTION OF CHANGES	APPROVED	DATE
3	ECRN 14257 - ADD SECONDARY WEB FEATURE	AMS	5/13/08
2	ECRN 14228 - CHANGE P/N'S, VOLTAGE RATINGS	AMS	2/4/08
1	ECRN 14210 - CHANGE COLOR/GEOMETRY ORDER	AMS	12/18/07