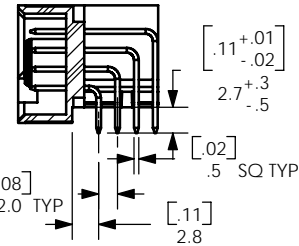
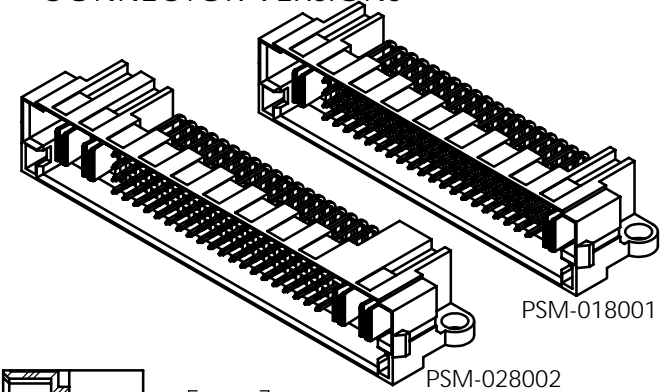
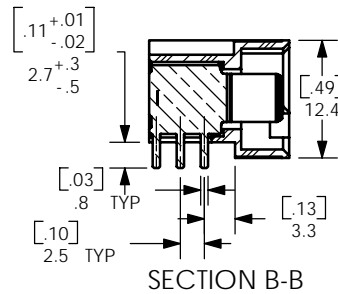
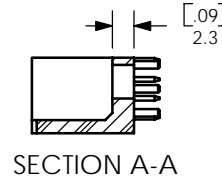
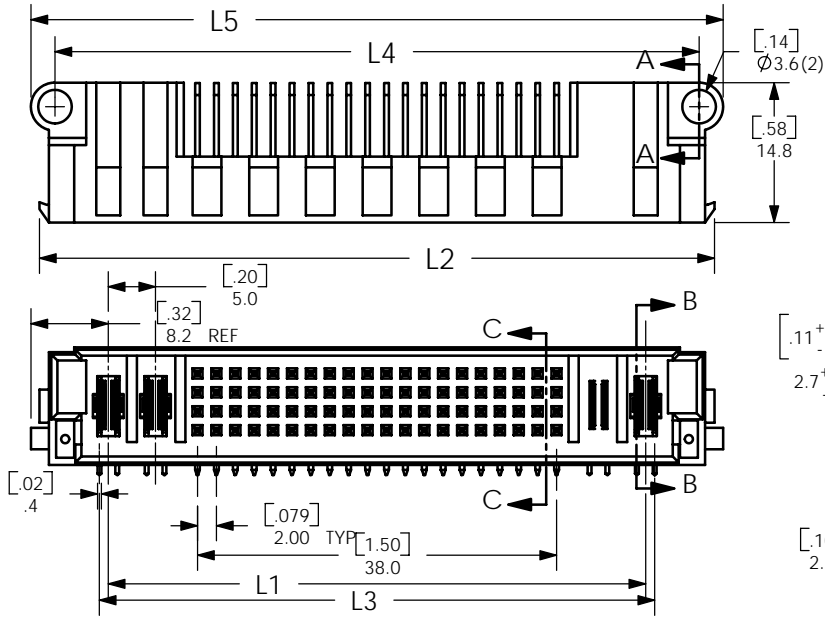


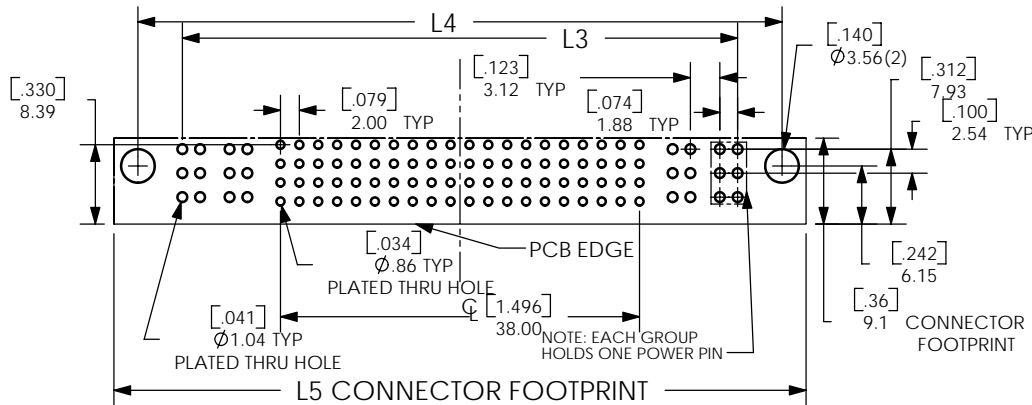
SCREW DOWN BOARD MOUNT, YY= 02

CONNECTOR VERSIONS



SECTION C-C
NOTE: POWER CONTACTS REMOVED FROM VIEW FOR CLARITY

PCB LAYOUT
ALL DIMENSIONS ARE SYMMETRIC ABOUT ϕ



Total Power Contacts	L1 mm	L1 in	L2 mm	L2 in	L3 mm	L3 in	L4 mm	L4 in	L5 mm	L5 in
2	46.9	1.85	61.4	2.42	48.8	1.92	58.2	2.29	63.3	2.49
4	56.9	2.24	71.4	2.81	58.8	2.31	68.2	2.68	73.3	2.89

Male Power & Signal Connector- Right Angle Tail- Ordering Information											
PS	M	-	XX	80	XX	P	R	01	-	0	YY
POWER/SIGNAL										01- No board hardware 02-Screw Down	
GENDER: MALE										No Latch	
QTY OF POWER CONTACTS-LEFT: 01, 02										LEAD LENGTH, 01= .062 PCB	
QTY OF SIGNAL CONTACTS: 80										RIGHT ANGLE TAIL	
QTY OF POWER CONTACTS RIGHT: 01, 02										TIN (T) or Gold (L)* Plating	

- NOTES:
- MATERIAL:
HOUSING- LCP, BLACK
POWER AND SIGNAL CONTACT- COPPER ALLOY
 - CONTACT PLATING: POWER CONTACT- MATTE TIN OR GOLD
SIGNAL CONTACT- LIGHT GOLD (CONTACT AREA), MATTE TIN- PCB TAIL
 - MINIMUM PUSHOUT FORCE: 2.25N[.5 LB-F]
 - PARTS TO BE PACKAGED IN TRAYS

DIMENSIONS ARE IN:		APPROVALS	
MM	[INCH]	DRAWN	CMS 9/11/08
UNLESS OTHERWISE STATED		CHECKED	DJD 11/18/08
TOLERANCES:		MFG APP	CHB 11/19/08
DECIMALS (INCH)	DECIMALS (MM)	QC APP	UFN 11/19/08
.XX ± .02	X ± .5	ENG APP	DAM 11/19/08
ANGLES ±2°		FINISH: SEE NOTES	
SURFACE FINISH:		SCALE: A/A4	
MACHINED 128 [3.2]		DWG NO: 114793S1	
MOLDED 64 [1.6]		REV: 1	

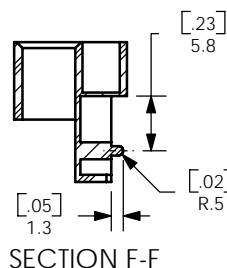
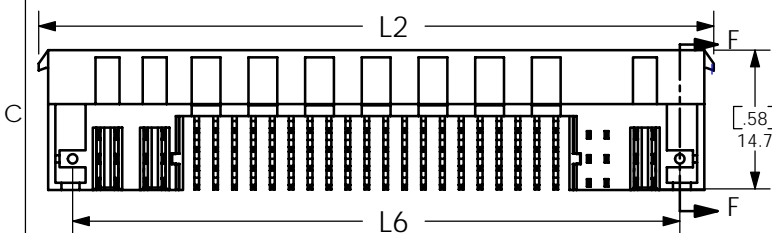
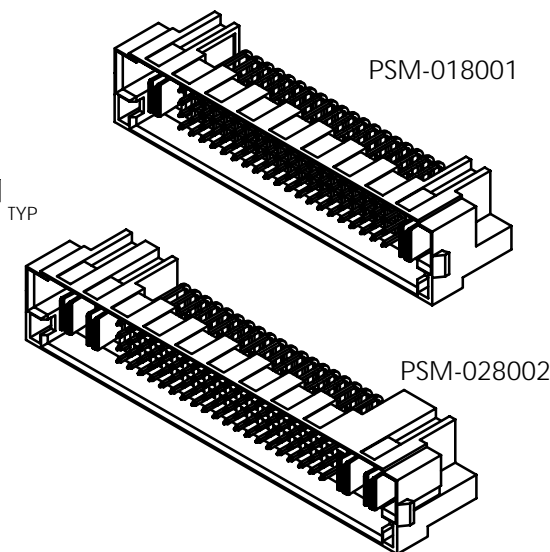
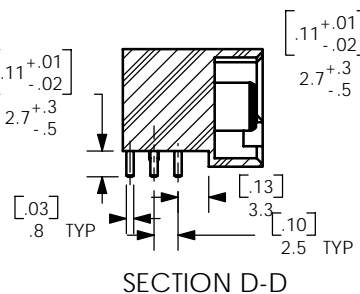
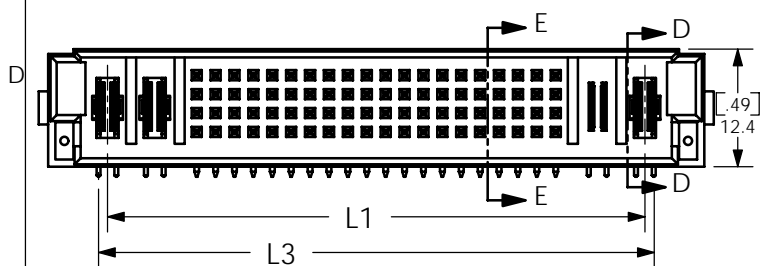
ANDERSON POWER PRODUCTS	
TITLE: POWERMOD PSX MALE R/A POWER/SIGNAL	
SCALE: NONE	CADFILE: 02805
SHEET: 1 OF 2	

1	ECRN 14365: ADD DIMS, REDUCE TO 2 SHEETS	CMS	1/05/09
REV.	DESCRIPTION OF CHANGES	APPROVED	DATE

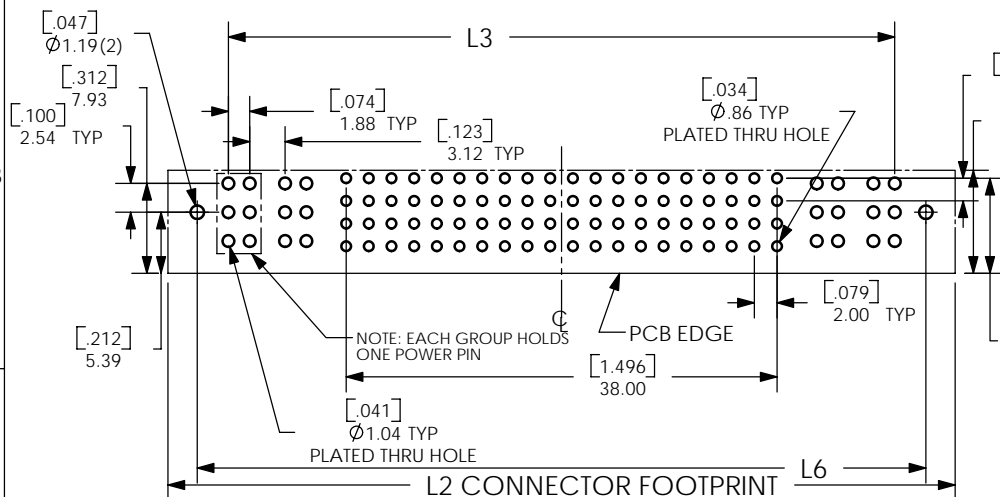
3rd ANGLE PROJECTION		CAD GENERATED DRAWING- DO NOT MANUALLY UPDATE DO NOT SCALE	
SCALE: NONE	CADFILE: 02805	SHEET: 1 OF 2	

NO BOARD MOUNT HARDWARE, YY= 02

CONNECTOR VERSIONS



PCB LAYOUT
ALL DIMENSIONS ARE SYMMETRIC ABOUT C



Total Power Contacts	L1		L2		L3		L6	
	mm	in	mm	in	mm	in	mm	in
2	46.9	1.85	61.4	2.42	48.8	1.92	54.3	2.14
4	56.9	2.24	71.4	2.81	58.8	2.31	64.3	2.53

Male Power & Signal Connector- Right Angle Tail- Ordering Information										
PS	M	-	XX	80	XX	P	R	01	-	0 YY
POWER/SIGNAL										01- No board hardware
GENDER: MALE										02-Screw Down
										No Latch
QTY OF POWER CONTACTS-LEFT:01, 02						LEAD LENGTH, 01= .062 PCB				
QTY OF SIGNAL CONTACTS: 80						RIGHT ANGLE TAIL				
QTY OF POWER CONTACTS RIGHT:01, 02						TIN (T) or Gold (L)* Plating				

- NOTES:
- MATERIAL:
HOUSING- LCP, BLACK
POWER AND SIGNAL CONTACT- COPPER ALLOY
 - CONTACT PLATING: POWER CONTACT- MATTE TIN OR GOLD
SIGNAL CONTACT- LIGHT GOLD (CONTACT AREA), MATTE TIN- PCB TAIL
 - MINIMUM PUSHOUT FORCE: 2.25N(.5 LB-F)
 - PARTS TO BE PACKAGED IN TRAYS

DIMENSIONS ARE IN:		APPROVALS		ANDERSON POWER PRODUCTS	
MM	[INCH]	DRAWN	CMS	9/11/08	TITLE
UNLESS OTHERWISE STATED		CHECKED	DJD	11/18/08	POWERMOD PSX MALE R/A POWER/SIGNAL
TOLERANCES:		MFG APP	CHB	11/19/08	
DECIMALS (INCH)	DECIMALS (MM)	OC APP	UFN	11/19/08	
.XX ± .02	.X ± .5	ENG APP	DAM	11/19/08	SIZE
SURFACE FINISH:		FINISH: SEE NOTES		DWG NO. 114793S1	
MACHINED 128 [3.2]				REV. 1	
MOLDED 64 [1.6]				SCALE	
MATERIAL: SEE NOTES				NONE	
FINISH: SEE NOTES				CADFILE	
				02805	
				SHEET	
				2 OF 2	

REV.	DESCRIPTION OF CHANGES	APPROVED	DATE
	SEE SHEET 1		



-CAD GENERATED DRAWING-
DO NOT MANUALLY UPDATE
DO NOT SCALE