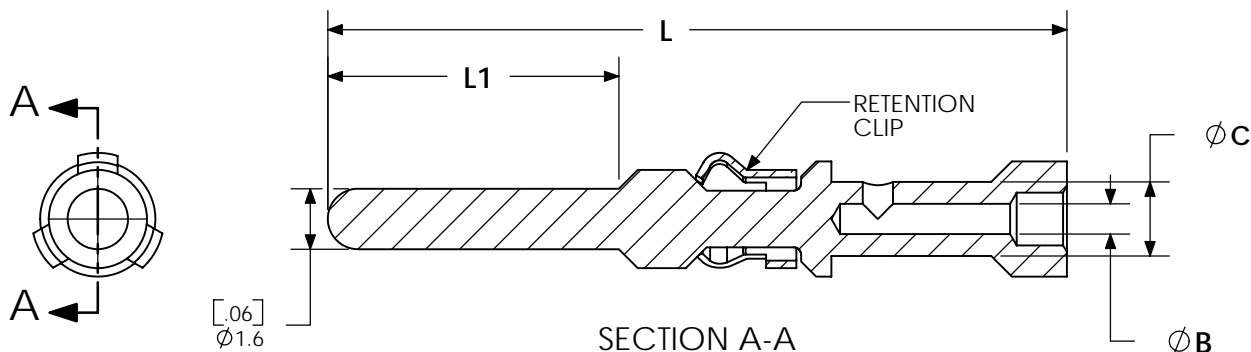
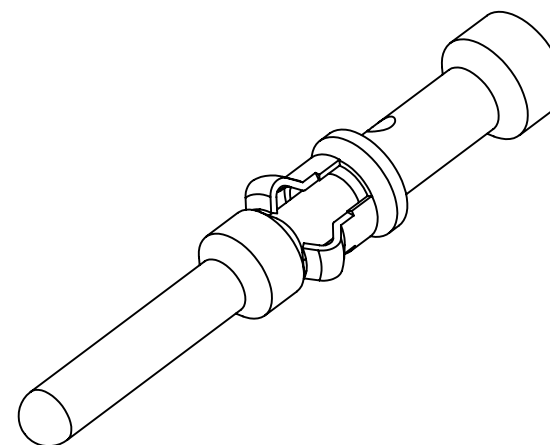


THE INFORMATION CONTAINED IN THIS DRAWING IS THE SOLE PROPERTY OF ANDERSON POWER PRODUCTS. ANY REPRODUCTION IN PART OR WHOLE WITHOUT THE WRITTEN PERMISSION OF ANDERSON POWER PRODUCTS IS PROHIBITED.

Copyright 2006

ANDERSON POWER PRODUCTS RESERVES THE RIGHT TO ALTER PRODUCT TYPES, THEIR TECHNICAL DATA, DIMENSION, STYLE AND ACCESSORIES WITHOUT PRIOR NOTIFICATION.

PART NO.	AWG	DIA B		DIA C		L1		L- REF	
		mm	IN	mm	IN	mm	IN	mm	IN
PM16P2024S30	20/22/24	1.1	.04	2.0	.08	7.7	.30	19.6	.77
PM16P1620S30	16/18/20	1.7	.07	2.8	.11	7.7	.30	19.6	.77
PM16P1416S30	14/16	2.1	.08	2.8	.11	7.7	.30	19.6	.77
PM16P12S30	12	2.6	.10	3.1	.12	7.7	.30	19.6	.77
PM16P2024A30	20/22/24	1.1	.04	2.0	.08	9.3	.37	21.2	.83
PM16P1620A30	16/18/20	1.7	.07	2.8	.11	9.3	.37	21.2	.83
PM16P1416A30	14/16	2.1	.08	2.8	.11	9.3	.37	21.2	.83
PM16P12A30	12	2.6	.10	3.1	.12	9.3	.37	21.2	.83
PM16P2024B30	20/22/24	1.1	.04	2.0	.08	8.5	.33	20.4	.80
PM16P1620B30	16/18/20	1.7	.07	2.8	.11	8.5	.33	20.4	.80
PM16P1416B30	14/16	2.1	.08	2.8	.11	8.5	.33	20.4	.80
PM16P12B30	12	2.6	.10	3.1	.12	8.5	.33	20.4	.80
PM16P2024C30	20/22/24	1.1	.04	2.0	.08	6.4	.25	18.3	.72
PM16P1620C30	16/18/20	1.7	.07	2.8	.11	6.4	.25	18.3	.72
PM16P1416C30	14/16	2.1	.08	2.8	.11	6.4	.25	18.3	.72
PM16P12C30	12	2.6	.10	3.1	.12	6.4	.25	18.3	.72



- NOTES:  
 1. MATERIAL:  
 CONTACT: BRASS  
 RETENTION CLIP: STAINLESS STEEL  
 2. CONTACT FINISH:  
 GOLD OVER NICKEL (LEAD FREE)  
 3. CRIMP CONTACT ONTO WIRE BEFORE INSERTING INTO HOUSING

DIMENSIONS ARE IN:		MM[INCH]	APPROVALS		 ANDERSON POWER PRODUCTS TITLE <b>POWERMOD MALE CRIMP CONTACTS</b>		
UNLESS OTHERWISE STATED			DRAWN	CMS 1/25/06			
TOLERANCES:			CHECKED	DJD 1/25/06			
DECIMALS (INCH)	DECIMALS (MM)	ANGLES	MFG APP	CHB 1/25/06			
.XX ±.02	.X ±.5	±2°	QC APP	JA 1/25/06			
SURFACE FINISH:			ENG APP	DAM 1/25/06	SIZE	DWG NO.	REV.
ISO 1302 ✓			MATERIAL: SEE NOTES		A/A4	114645S1	2
FINISH: SEE NOTES			CAD GENERATED DRAWING. DO NOT MANUALLY UPDATE. DO NOT SCALE		SCALE	CADFILE	SHEET
					NONE	02498	1 OF 1

REV.	DESCRIPTION OF CHANGES	APPROVED	DATE
2	ECRN 14034	CMS	6/19/06
1	ECRN 13959	CMS	1/30/06