

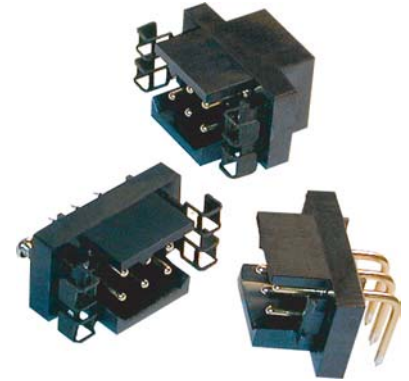
The PowerMod™ connector family offers minimum size and high power. The high performance contacts and insulator are rated for 30 amps continuous. Applications requiring lower operating temperatures can be de-rated using our current-temperature chart.

The three row male PowerMod connectors are offered in 6, 8, 12 and 16 circuit sizes. The connectors are available with straight crimp, straight PCB or right angle PCB contacts.

APP connectors are manufactured using the finest materials and world-class manufacturing processes. They embody the highest quality in the industry and meet all applicable industry standards.

FEATURES

- **Mechanically polarized housings**
Only mate one-way, ensuring proper mating
- **High reliability positive retention latches**
Are made from stainless steel to provide optimum performance over 1000+ cycles
- **PCB, panel or cable mounting**
A wide variety of contact styles with optional mounting brackets, panel clips and back-shell hoods provide broad design flexibility
- **Optional sequential contact mating**
4 pin contact lengths can be custom specified for make-first/break-last or make-last/break-first circuits



SPECIFICATIONS

Electrical		Mechanical	
Current rating	IEC 512-3, UL 1977	30 Amps	
Voltage Rating UL & CSA	600 Volts	Connect/Disconnect Cycles	
Creepage/Clearance Distance	3.2 mm (.125") Min	No Load per IEC 512-5	1000 cycles
Contact Resistance per IEC 512-2	3 milliohms	Mating/Unmating Force per IEC 512-13	10 oz (3N) avg.
Dielectric Strength per IEC 512-2	2000 V rms	Contact Retention per IEC 152-8	18 lb (80N)
Contact Wire Range	12 to 24 AWG		
Working Temperature Range	4.0 to .25 mm ²		
	-55C to 180C		
		Materials	
		Insulator	PPS UL94V-0, material group IIIa
		Pins	Copper alloy, 10 μ inch Au over 50 μ inch Ni
		Socket Body	Copper alloy, 200 μ inch 90/10 SnPb
		Socket Contact	BeCu, 30 μ inch Au over 50 μ inch Ni
		Retention Clamps	Stainless steel
		Hoods	PBT UL94V-0

 **UL Recognized**
File No. E26226 All Data Subject To Change Without Notice

ORDERING INFORMATION

PowerMod Part Number Plan - Two Row Male

Series	Rows	# Poles	Gender	Contact	Latch	Mounting	Customized Connector
P	M	2	0	6	M	B 1	L C H - X X X
2		Consult factory for options					
06, 08, 12, 16 Poles							
M - Male							
OO - None (Crimp contacts ordered separately)							
B1 - Straight PCB Solder Standard Length							
R1 - R/A PCB Solder Standard Length							
		OO - None					
		SB - R/A PCB Snap Bracket					
		HB - R/A PCB Bracket with Hole					
		ST - Self-tapping screws for straight PCB mount					
		SP - Push in fastener for straight PCB mount					
		CH - With clam-shell hood					
		PC - Panel Clip					
		SC - Screw for 1.6mm panel mount					
		L - Connector with latch (standard for contact type OO)					
		O - No latch					

Crimp Contacts

Part Number	Description
Standard Length 7.7mm	
PM16P2024S30	AWG 24-20 Au.25
PM16P1620S30	AWG 20-16 Au.25
PM16P1416S30	AWG 16-14 Au.25
PM16P12S30	AWG 12 Au.25
Pre-Mate 9.3mm	
PM16P2024A30	AWG 24-20 Au.25
PM16P1620A30	AWG 20-16 Au.25
PM16P1416A30	AWG 16-14 Au.25
PM16P12A30	AWG 12 Au.25
Pre-Mate 8.5mm	
PM16P2024B30	AWG 24-20 Au.25
PM16P1620B30	AWG 20-16 Au.25
PM16P1416B30	AWG 16-14 Au.25
PM16P12B30	AWG 12 Au.25
Post-Mate 6.6mm	
PM16P2024C30	AWG 24-20 Au.25
PM16P1620C30	AWG 20-16 Au.25
PM16P1416C30	AWG 16-14 Au.25
PM16P12C30	AWG 12 Au.25

Tooling

Part Number	PM1000G1	PM1001G1
Description	Four indent hand tool	Loose crimp piece machine (semi/auto)
Part Number	PM1002G1	PM1003G1
Description	Contact insertion tool	Contact extraction tool

HEADQUARTERS: 13 Pratts Junction Road, P.O. Box 579, Sterling, MA 01564 T:978-422-3600 F:978-422-3700

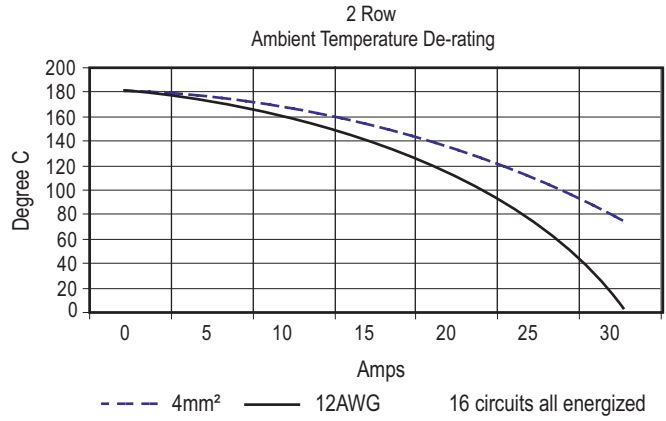
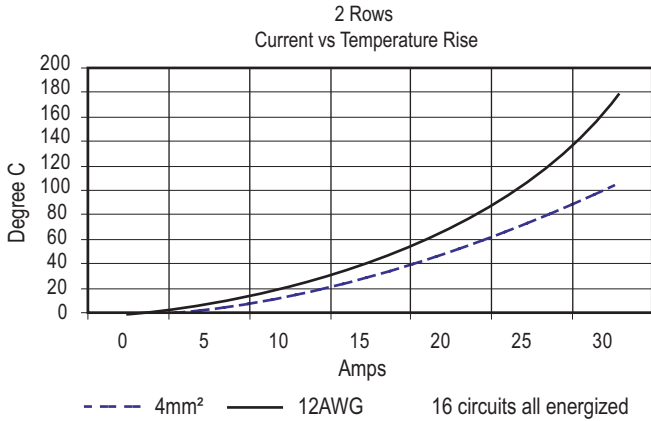
EUROPE: Rathealy Road, Fermoy Co. Cork, Ireland T:353-(0)25-32277 F:353-(0)25-32296

ASIA/PACIFIC: IDEAL Anderson Asia Pacific Ltd., Unit 922-928 Topsail Plaza, 11 On Sum Street, Shatin N.T., Hong Kong T:852-2636-0836 F:852-2635-9036

www.andersonpower.com

Two Row Cable Connector (male)

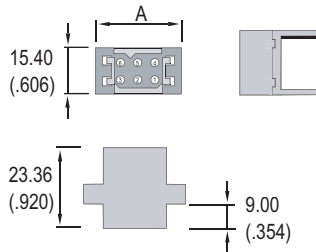
TEMPERATURE RISE CHARTS



DIMENSIONS

Cable Connector

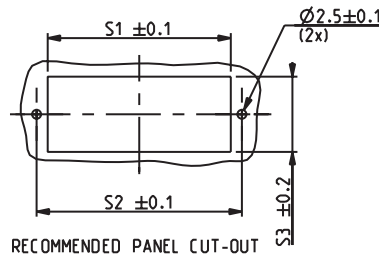
ROWS CONTACTS	A
2 - 06	28.5
2 - 08	33.5
2 - 12	43.5
2 - 16	53.5



mm (inches)

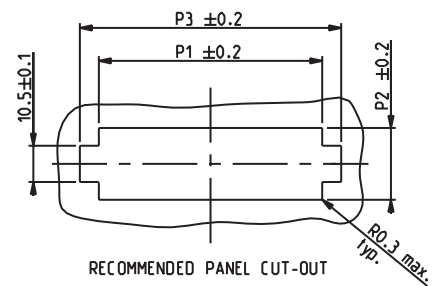
Panel/Mount With Screws

ROWS CONTACTS	S1	S2	S3
2 - 06	16.1	22.3	16
2 - 08	21.1	27.3	16
2 - 12	31.1	37.3	16
2 - 16	41.1	47.3	16



Snap-in Panel Clip

ROWS CONTACTS	P1	P2	P3
2 - 06	29.7	15.8	40.7
2 - 08	34.7	15.8	45.7
2 - 12	44.7	15.8	55.7
2 - 16	54.7	15.8	65.7



ORDERING INFORMATION

Cable Connector

Part Number	Description
PM206MOOLOO	2x6 PIN cable connector
PM208MOOLOO	2x8 PIN cable connector
PM212MOOLOO	2x12 PIN cable connector
PM216MOOLOO	2x16 PIN cable connector

With Snap-in Panel Clip

Part Number	Description
PM206MOOLPC	2x6 PIN cable connector
PM208MOOLPC	2x8 PIN cable connector
PM212MOOLPC	2x12 PIN cable connector
PM216MOOLPC	2x16 PIN cable connector

Panel Mount With Screws

Part Number	Description
PM206MOOLSC	2x6 PIN cable connector
PM208MOOLSC	2x8 PIN cable connector
PM212MOOLSC	2x12 PIN cable connector
PM216MOOLSC	2x16 PIN cable connector

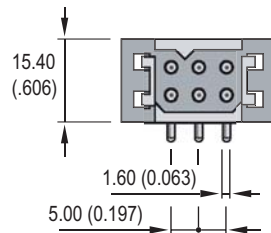
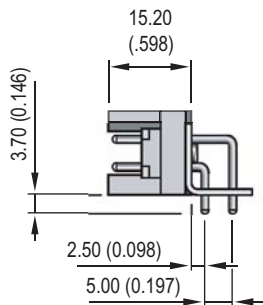
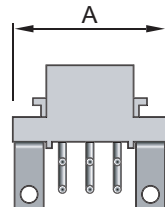
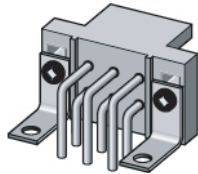
With Clam Shell Hood & Strain Relief

Part Number	Description
PM206MOOLCH	2x6 PIN cable connector
PM208MOOLCH	2x8 PIN cable connector
PM212MOOLCH	2x12 PIN cable connector
PM216MOOLCH	2x16 PIN cable connector

Two Row Right Angle PCB (male)

DIMENSIONS

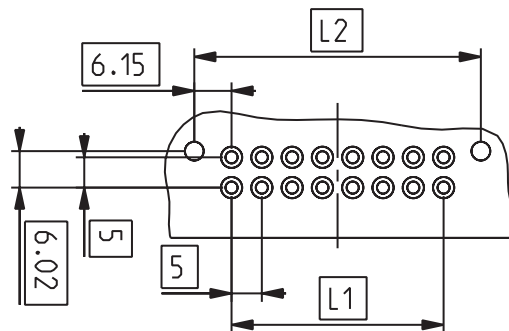
2 Row - PCB right angle connector



mm (inches)

2 - Row PCB layout for right angle connector

ROWS CONTACTS	A	L1	L2
2 - 06	28.5	10	22.3
2 - 08	33.5	15	27.3
2 - 12	43.5	25	37.3
2 - 16	53.5	35	47.3



ORDERING INFORMATION

With Latch

Part Number	Description
PM206MR1LOO	2x6 PIN Right Angle PCB Solder 3.7mm
PM208MR1LOO	2x8 PIN Right Angle PCB Solder 3.7mm
PM212MR1LOO	2x12 PIN Right Angle PCB Solder 3.7mm
PM216MR1LOO	2x16 PIN Right Angle PCB Solder 3.7mm

No Latch

Part Number	Description
PM206MR1OOO	2x6 PIN Right Angle PCB Solder 3.7mm
PM208MR1OOO	2x8 PIN Right Angle PCB Solder 3.7mm
PM212MR1OOO	2x12 PIN Right Angle PCB Solder 3.7mm
PM216MR1OOO	2x16 PIN Right Angle PCB Solder 3.7mm

Right Angle PCB Snap Bracket & Latch

Part Number	Description
PM206MR1LSB	2x6 PIN Right Angle PCB Solder 3.7mm
PM208MR1LSB	2x8 PIN Right Angle PCB Solder 3.7mm
PM212MR1LSB	2x12 PIN Right Angle PCB Solder 3.7mm
PM216MR1LSB	2x16 PIN Right Angle PCB Solder 3.7mm

Right Angle Latch PCB Snap Bracket & No Latch

Part Number	Description
PM206MR1OSB	2x6 PIN Right Angle PCB Solder 3.7mm
PM208MR1OSB	2x8 PIN Right Angle PCB Solder 3.7mm
PM212MR1OSB	2x12 PIN Right Angle PCB Solder 3.7mm
PM216MR1OSB	2x16 PIN Right Angle PCB Solder 3.7mm

Right Angle PCB Bracket With Hole & Latch

Part Number	Description
PM206MR1LHB	2x6 PIN Right Angle PCB Solder 3.7mm
PM208MR1LHB	2x8 PIN Right Angle PCB Solder 3.7mm
PM212MR1LHB	2x12 PIN Right Angle PCB Solder 3.7mm
PM216MR1LHB	2x16 PIN Right Angle PCB Solder 3.7mm

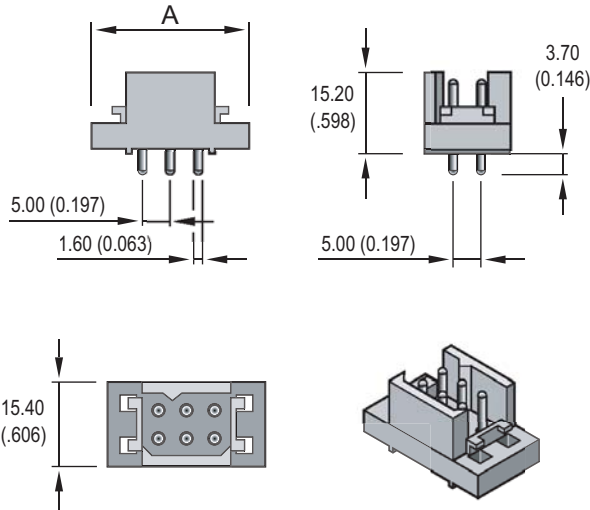
Right Angle PCB Bracket With Hole & No Latch

Part Number	Description
PM206MR1OHB	2x6 PIN Right Angle PCB Solder 3.7mm
PM208MR1OHB	2x8 PIN Right Angle PCB Solder 3.7mm
PM212MR1OHB	2x12 PIN Right Angle PCB Solder 3.7mm
PM216MR1OHB	2x16 PIN Right Angle PCB Solder 3.7mm

Two Row Straight PCB (male)

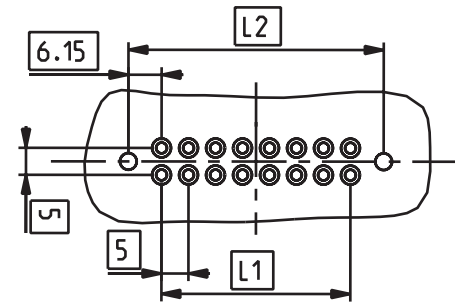
DIMENSIONS

PCB 2-row straight solder connector



2 - Row PCB layout for straight solder connector

ROWS CONTACTS	A	L1	L2
2 - 06	28.5	10	22.3
2 - 08	33.5	15	27.3
2 - 12	43.5	25	37.3
2 - 16	53.5	35	47.3



ORDERING INFORMATION

With Latch

Part Number	Description
PM206MB1LOO	2x6 PIN Straight PCB Solder 3.7mm
PM208MB1LOO	2x8 PIN Straight PCB Solder 3.7mm
PM212MB1LOO	2x12 PIN Straight PCB Solder 3.7mm
PM216MB1LOO	2x16 PIN Straight PCB Solder 3.7mm

No Latch

Part Number	Description
PM206MB1OOO	2x6 PIN Straight PCB Solder 3.7mm
PM208MB1OOO	2x8 PIN Straight PCB Solder 3.7mm
PM212MB1OOO	2x12 PIN Straight PCB Solder 3.7mm
PM216MB1OOO	2x16 PIN Straight PCB Solder 3.7mm

Push On PCB Fastener & Latch

Part Number	Description
PM206MB1LSP	2x6 PIN Straight PCB Solder 3.7mm
PM208MB1LSP	2x8 PIN Straight PCB Solder 3.7mm
PM212MB1LSP	2x12 PIN Straight PCB Solder 3.7mm
PM216MB1LSP	2x16 PIN Straight PCB Solder 3.7mm

Push On PCB Fastener & No Latch

Part Number	Description
PM206MB1OSP	2x6 PIN Straight PCB Solder 3.7mm
PM208MB1OSP	2x8 PIN Straight PCB Solder 3.7mm
PM212MB1OSP	2x12 PIN Straight PCB Solder 3.7mm
PM216MB1OSP	2x16 PIN Straight PCB Solder 3.7mm

Self-tapping Screws For PCB Mount & Latch

Part Number	Description
PM206MB1LST	2x6 PIN Straight PCB Solder 3.7mm
PM208MB1LST	2x8 PIN Straight PCB Solder 3.7mm
PM212MB1LST	2x12 PIN Straight PCB Solder 3.7mm
PM216MB1LST	2x16 PIN Straight PCB Solder 3.7mm

Self-tapping Screws For PCB Mount & No Latch

Part Number	Description
PM206MB1OST	2x6 PIN Straight PCB Solder 3.7mm
PM208MB1OST	2x8 PIN Straight PCB Solder 3.7mm
PM212MB1OST	2x12 PIN Straight PCB Solder 3.7mm
PM216MB1OST	2x16 PIN Straight PCB Solder 3.7mm