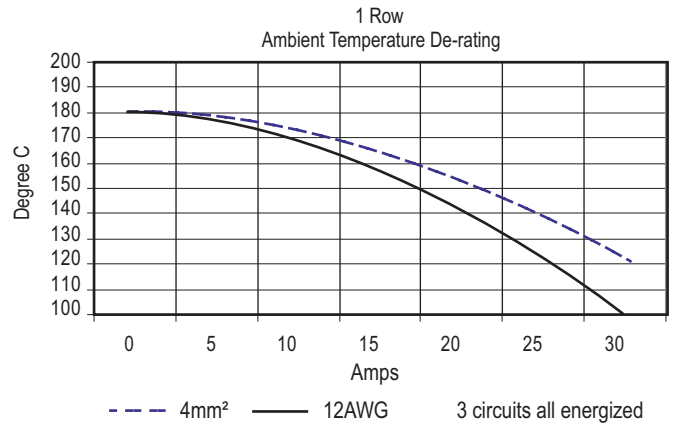
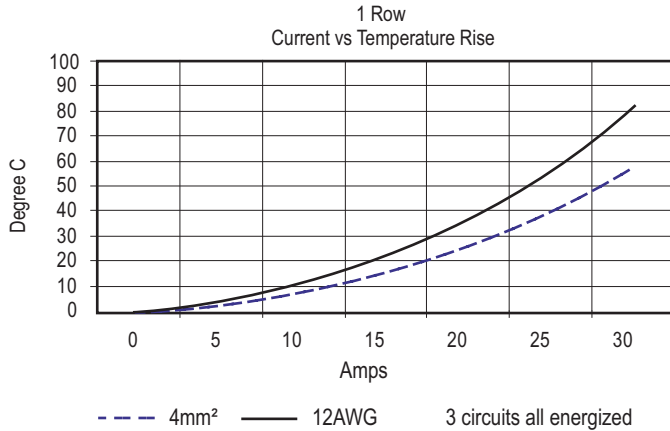


One Row Cable Connector (male)

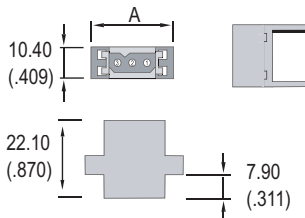
TEMPERATURE RISE CHARTS



DIMENSIONS

Cable Connector

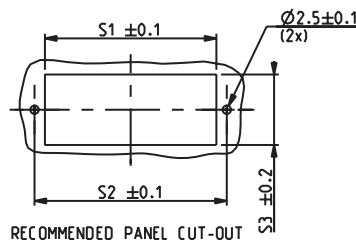
ROWS CONTACTS	A
1 - 03	28.5
1 - 04	33.5
1 - 06	43.5
1 - 08	53.5



mm (inches)

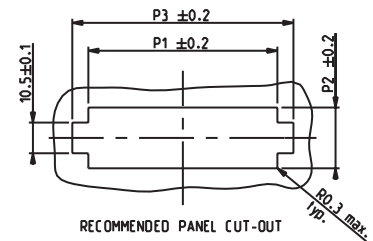
Panel/Mount With Screws

ROWS CONTACTS	S1	S2	S3
1 - 03	16.1	22.3	11
1 - 04	21.1	27.3	11
1 - 06	31.1	37.3	11
1 - 08	41.1	47.3	11



Snap-in Panel Clip

ROWS CONTACTS	P1	P2	P3
1 - 03	29.7	10.8	40.7
1 - 04	34.7	10.8	45.7
1 - 06	44.7	10.8	55.7
1 - 08	54.7	10.8	65.7



ORDERING INFORMATION

Cable Connector

Part Number	Description
PM103MOOLOO	1x3 PIN cable connector
PM104MOOLOO	1x4 PIN cable connector
PM106MOOLOO	1x6 PIN cable connector
PM108MOOLOO	1x8 PIN cable connector

Panel Mount With Screws

Part Number	Description
PM103MOOLSC	1x3 PIN cable connector
PM104MOOLSC	1x4 PIN cable connector
PM106MOOLSC	1x6 PIN cable connector
PM108MOOLSC	1x8 PIN cable connector

With Snap-in Panel Clip

Part Number	Description
PM103MOOLPC	1x3 PIN cable connector
PM104MOOLPC	1x4 PIN cable connector
PM106MOOLPC	1x6 PIN cable connector
PM108MOOLPC	1x8 PIN cable connector

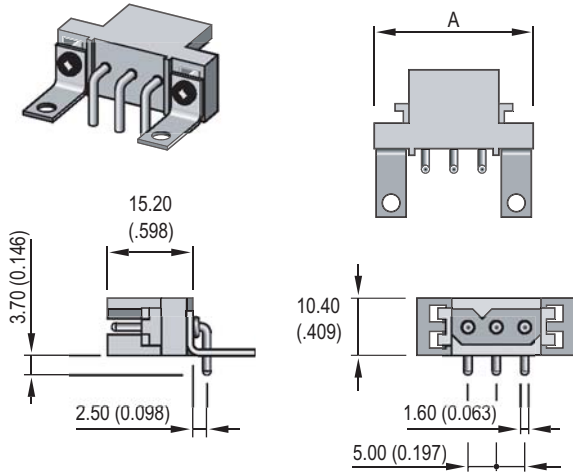
With Clam Shell Hood & Strain Relief

Part Number	Description
PM103MOOLCH	1x3 PIN cable connector
PM104MOOLCH	1x4 PIN cable connector
PM106MOOLCH	1x6 PIN cable connector
PM108MOOLCH	1x8 PIN cable connector

One Row Right Angle PCB (male)

DIMENSIONS

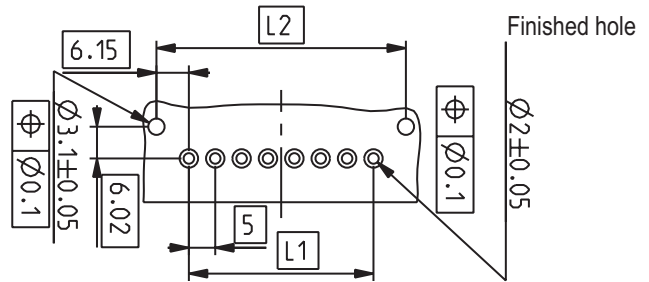
1 Row - PCB right angle connector



mm (inches)

1 - Row PCB layout for right angle connector

ROWS CONTACTS	A	L1	L2
1 - 03	28.5	10	22.3
1 - 04	33.5	15	27.3
1 - 06	43.5	25	37.3
1 - 08	53.5	35	47.3



ORDERING INFORMATION

With Latch

Part Number	Description
PM103MR1LOO	1x3 PIN Right Angle PCB Solder 3.7mm
PM104MR1LOO	1x4 PIN Right Angle PCB Solder 3.7mm
PM106MR1LOO	1x6 PIN Right Angle PCB Solder 3.7mm
PM108MR1LOO	1x8 PIN Right Angle PCB Solder 3.7mm

No Latch

Part Number	Description
PM103MR1OOO	1x3 PIN Right Angle PCB Solder 3.7mm
PM104MR1OOO	1x4 PIN Right Angle PCB Solder 3.7mm
PM106MR1OOO	1x6 PIN Right Angle PCB Solder 3.7mm
PM108MR1OOO	1x8 PIN Right Angle PCB Solder 3.7mm

Right Angle PCB Snap Bracket & Latch

Part Number	Description
PM103MR1LSB	1x3 PIN Right Angle PCB Solder 3.7mm
PM104MR1LSB	1x4 PIN Right Angle PCB Solder 3.7mm
PM106MR1LSB	1x6 PIN Right Angle PCB Solder 3.7mm
PM108MR1LSB	1x8 PIN Right Angle PCB Solder 3.7mm

Right Angle PCB Snap Bracket & No Latch

Part Number	Description
PM103MR1OSB	1x3 PIN Right Angle PCB Solder 3.7mm
PM104MR1OSB	1x4 PIN Right Angle PCB Solder 3.7mm
PM106MR1OSB	1x6 PIN Right Angle PCB Solder 3.7mm
PM108MR1OSB	1x8 PIN Right Angle PCB Solder 3.7mm

Right Angle PCB Bracket With Hole & Latch

Part Number	Description
PM103MR1LHB	1x3 PIN Right Angle PCB Solder 3.7mm
PM104MR1LHB	1x4 PIN Right Angle PCB Solder 3.7mm
PM106MR1LHB	1x6 PIN Right Angle PCB Solder 3.7mm
PM108MR1LHB	1x8 PIN Right Angle PCB Solder 3.7mm

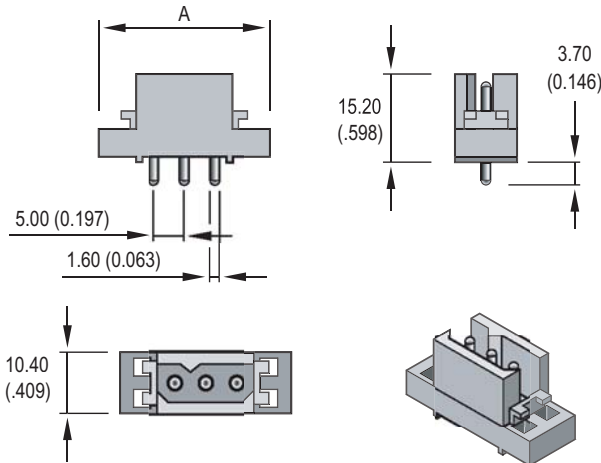
Right Angle PCB Bracket With Hole & No Latch

Part Number	Description
PM103MR1OHB	1x3 PIN Right Angle PCB Solder 3.7mm
PM104MR1OHB	1x4 PIN Right Angle PCB Solder 3.7mm
PM106MR1OHB	1x6 PIN Right Angle PCB Solder 3.7mm
PM108MR1OHB	1x8 PIN Right Angle PCB Solder 3.7mm

One Row Straight PCB (male)

DIMENSIONS

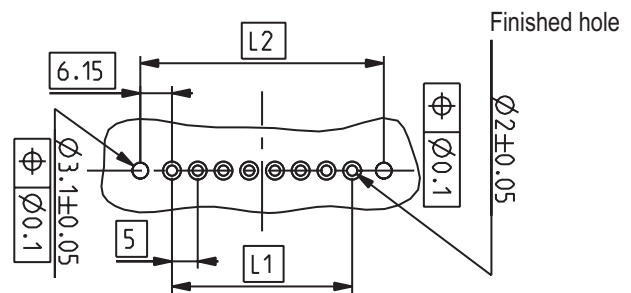
PCB 1-row straight solder connector



mm (inches)

1 - Row PCB layout for straight solder connector

ROWS CONTACTS	A	L1	L2
1 - 03	28.5	10	22.3
1 - 04	33.5	15	27.3
1 - 06	43.5	25	37.3
1 - 08	53.5	35	47.3



ORDERING INFORMATION

With Latch

Part Number	Description
PM103MB1LOO	1x3 PIN Straight PCB Solder 3.7mm
PM104MB1LOO	1x4 PIN Straight PCB Solder 3.7mm
PM106MB1LOO	1x6 PIN Straight PCB Solder 3.7mm
PM108MB1LOO	1x8 PIN Straight PCB Solder 3.7mm

No Latch

Part Number	Description
PM103MB1OOO	1x3 PIN Straight PCB Solder 3.7mm
PM104MB1OOO	1x4 PIN Straight PCB Solder 3.7mm
PM106MB1OOO	1x6 PIN Straight PCB Solder 3.7mm
PM108MB1OOO	1x8 PIN Straight PCB Solder 3.7mm

Push On PCB Fastener & Latch

Part Number	Description
PM103MB1LSP	1x3 PIN Straight PCB Solder 3.7mm
PM104MB1LSP	1x4 PIN Straight PCB Solder 3.7mm
PM106MB1LSP	1x6 PIN Straight PCB Solder 3.7mm
PM108MB1LSP	1x8 PIN Straight PCB Solder 3.7mm

Push On PCB Fastener & No Latch

Part Number	Description
PM103MB1OSP	1x3 PIN Straight PCB Solder 3.7mm
PM104MB1OSP	1x4 PIN Straight PCB Solder 3.7mm
PM106MB1OSP	1x6 PIN Straight PCB Solder 3.7mm
PM108MB1OSP	1x8 PIN Straight PCB Solder 3.7mm

Self-tapping Screws For PCB Mount & Latch

Part Number	Description
PM103MB1LST	1x3 PIN Straight PCB Solder 3.7mm
PM104MB1LST	1x4 PIN Straight PCB Solder 3.7mm
PM106MB1LST	1x6 PIN Straight PCB Solder 3.7mm
PM108MB1LST	1x8 PIN Straight PCB Solder 3.7mm

Self-tapping Screws For PCB Mount & No Latch

Part Number	Description
PM103MB1OST	1x3 PIN Straight PCB Solder 3.7mm
PM104MB1OST	1x4 PIN Straight PCB Solder 3.7mm
PM106MB1OST	1x6 PIN Straight PCB Solder 3.7mm
PM108MB1OST	1x8 PIN Straight PCB Solder 3.7mm