

PowerMod HP connectors, developed by Anderson Power Products, are the innovative New Generation of High Power Interconnections for the Electronics Industry.

The touch-safe, positive latching, PowerMod HP female connector design presents a new standard for high power connector safety. The ergonomic latch release is simple to operate and is colored blue for clear identification. Housings are a black UL94V-O flame retardant material.

PowerMod HP contacts are durable and rated for circuit interruption (true hot-pluggable). Size A contacts are available in #6 to #2 American wire gauge and 16mm² to 35mm² metric wire sizes for global design freedom. Our optional strain relief ensures superior contact reliability under adverse operating conditions.

APP PowerMod HP connectors embody the highest quality in the industry and meet all applicable industry standards.

Features

- **Right angle connector**
Offers short mated length for tight wiring applications
- **Positive latching**
Integral Latches with ergonomic release provide over 50 lbs retention
- **Touch safe female connectors**
Provides IP20 protection for safe, energized use outside the electronics cabinet
- **High performance, hot pluggable female contacts**
Our patented design provides greater longevity for high power, elevated temperature applications
- **Low connector mating forces**
Connectors can be mated and unmated with one hand without the use mechanical aids



SPECIFICATIONS

Electrical			Mechanical	
Current Rating	Nominal @ 80°C Ambient	160 Amps	Mating Force	7 lbs. (31.14N) avg
	UL	220 Amps	Latch Retention Force	50 lbs. (222N) min
	CSA (30°C Rise)	130 Amps	Contact Retention Force	100 lbs. (445N) min
UL / CSA Voltage Rating		600 Volts	Mating	
Wire Size (inches)		#6 to #2	a. No Load(Contact/Disconnect Cycles)	500 Cycles
(mm ²)		16mm ² to 35mm ²	b. Under Load(Hot Plug 250 cycles @ 120V)	80A
Insulation Withstanding Voltage		2200 Volts	Materials	
Operating Temperature Range °C		minus 40-130 °C	Housing & Cable Clamp	PBT
Ambient Temperature Range °C		minus 40-85 °C	Latch	PEI
			Contacts	Copper alloy silver plate
			Hardware	Steel zinc chromate

 File No. E26226

ORDERING INFORMATION

PowerMod Part Number Plan - Singlepole Right Angle Female

Series	Size	Gender	Model	Wire Size
PMHP	A	F	3	S10
A *				
F - Female				
03 - Single Pole R/A with cable clamp				
S10 - 6 awg				
S09 - 16mm ²				
S08 - 4 awg				
S07 - 25mm ²				
S06 - 2 awg & 35mm				
* Maximum wire size 2 awg or 35mm ²				

COMPONENTS

Part Number	Description
PMHPAF03	Housing Kit with Cable Clamp, Female, Singlepole, R/A
PMHPAS10	Socket, Size A, Crimp for 6 awg wire
PMHPAS09	Socket, Size A, Crimp for 16mm ² wire
PMHPAS08	Socket, Size A, Crimp for 4 awg wire
PMHPAS07	Socket, Size A, Crimp for 25mm ² wire
PMHPAS06	Socket, Size A, Crimp for 2 awg & 35mm ² wire

PowerMod® HP Singlepole Right Angle Female - Size A

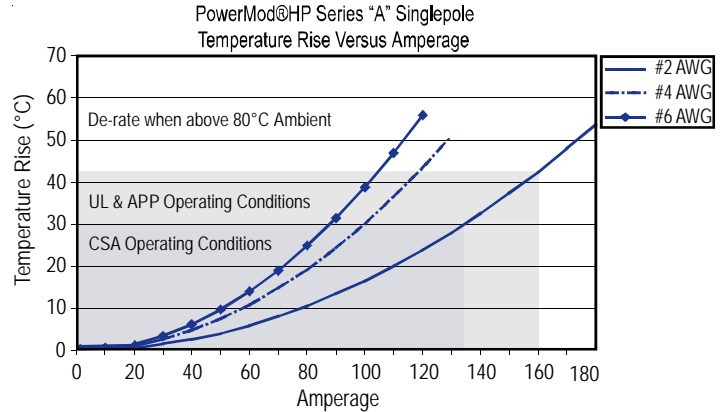
ORDERING INFORMATION

TOOLING

Part Number	Description
1387G2	Production Tool - Pneumatic
1304G19	Locator for 1387G2, Size A Pin Contacts
1303G14	Die for 1387G2, 6 AWG wire
1303G14	Die for 1387G2, 16mm ² wire
1303G14	Die for 1387G2, 4 AWG wire
1303G13	Die for 1387G2, 25mm ² wire
1303G13	Die for 1387G2, 2 AWG & 35mm ² wire
1387G3	Hand Tool - Hydraulic
1370	Hand Tool - Battery
1322G9	Die for 1387G3 & 1370, 6 AWG wire
1322G10	Die for 1387G3 & 1370, 16mm ² wire
1322G8	Die for 1387G3 & 1370, 4 AWG wire
1322G11	Die for 1387G3 & 1370, 25mm ² wire
1322G7	Die for 1387G3 & 1370, 2 AWG & 35mm ² wire

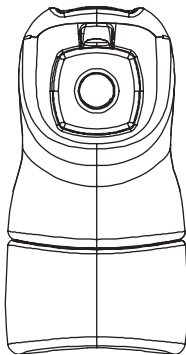
* 1370 & 1387G3 use the same die sets

TEMPERATURE CHART

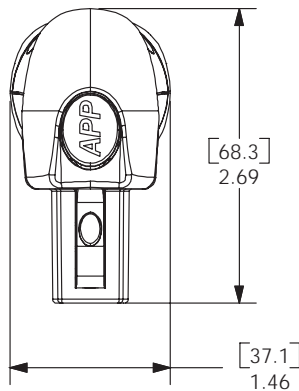


DIMENSIONS

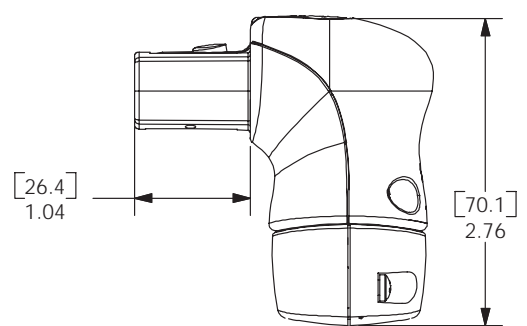
Front



Top



Side



MATING CONNECTORS

Singlepole Male



Singlepole Bus Bar Male

