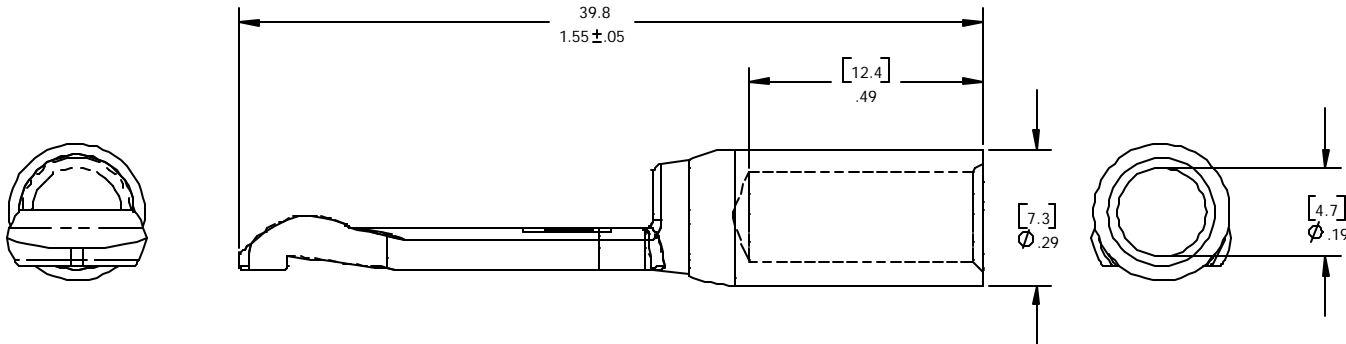
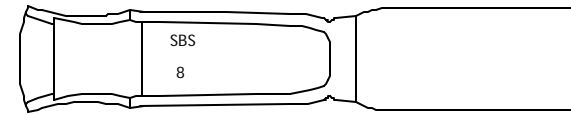
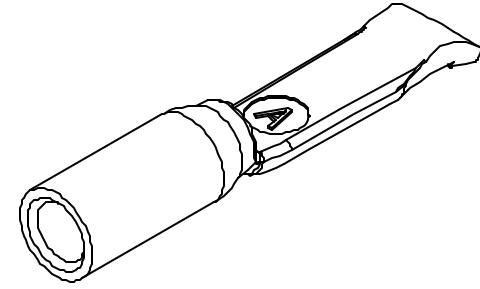
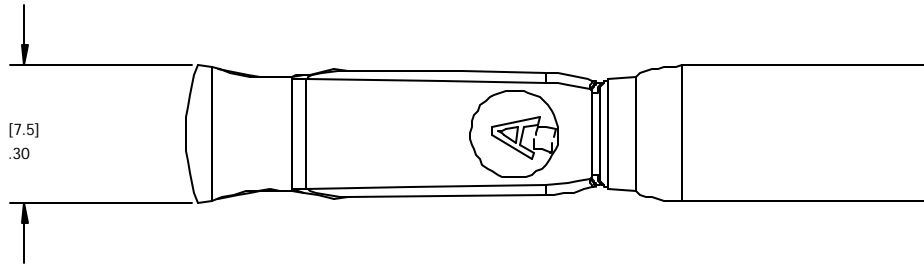


THE INFORMATION CONTAINED IN THIS DRAWING IS THE SOLE PROPERTY OF ANDERSON POWER PRODUCTS. ANY REPRODUCTION IN PART OR WHOLE WITHOUT THE WRITTEN PERMISSION OF ANDERSON POWER PRODUCTS IS PROHIBITED.

COPYRIGHT 2003

ANDERSON POWER PRODUCTS RESERVES THE RIGHT TO ALTER PRODUCT TYPES, THEIR TECHNICAL DATA, DIMENSION, STYLE AND ACCESSORIES WITHOUT PRIOR NOTIFICATION.



CAT NO. 1339G5

				MATERIAL COPPER	UNLESS OTHERWISE SPECIFIED DIMENSIONS ARE IN INCHES TOLERANCES DECIMALS FRACTIONS ANGLES 2 PL ±.010 ±1/32	APPROVALS		ANDERSON POWER PRODUCTS		
				FINISH SILVER PLATE		DRAWN AB 6-27-03	TITLE OUTLINE SBS 50 CONTACT 8 AWG CRIMP BARREL			
				USED ON		CHECKED DJD 6-30-03	SIZE B	DWG. NO.	B01853S5	REV. 0
				THIRD ANGLE PROJECTION		MFG APP DAM 7-1-03	SCALE NONE	CADFILE	01780	SHEET 1 of 1
REV.	DESCRIPTION	APPROVED	DATE		CAD GENERATED DRAWING, DO NOT MANUALLY UPDATE	QC APP RPO 7-1-03				
REVISIONS					DO NOT SCALE DRAWING	ENG APP MW 7-1-03				