

8

7

6

5

4

3

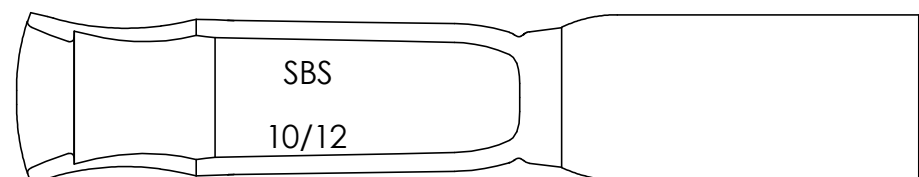
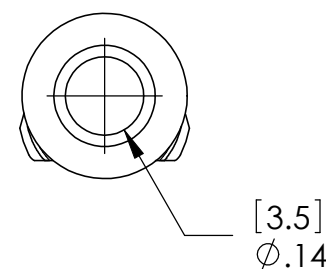
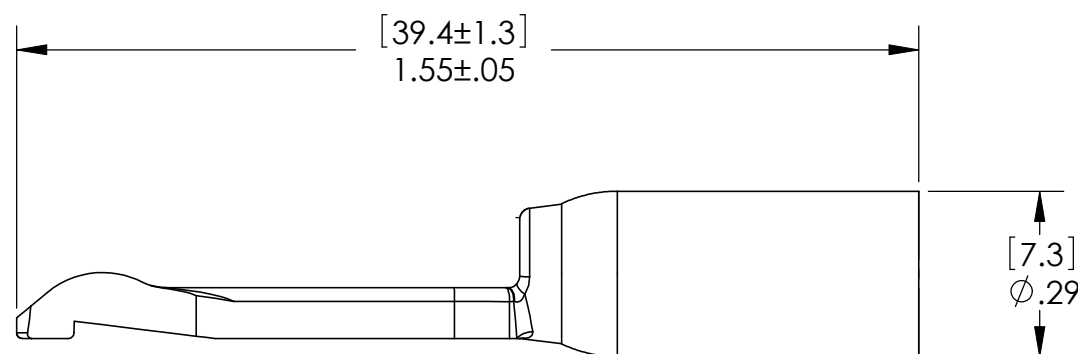
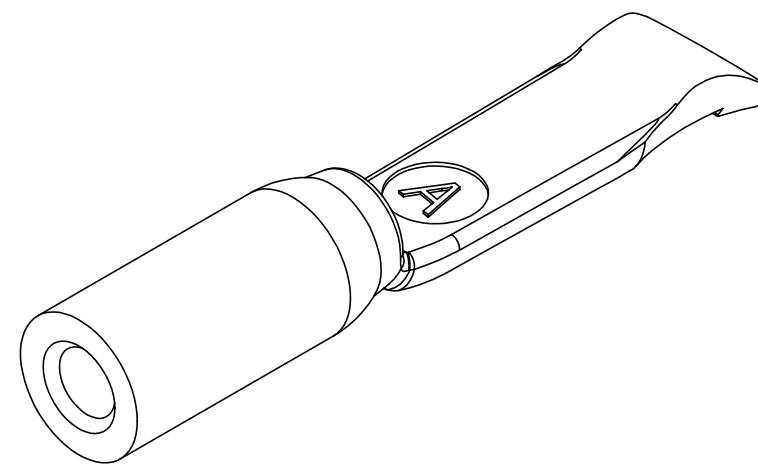
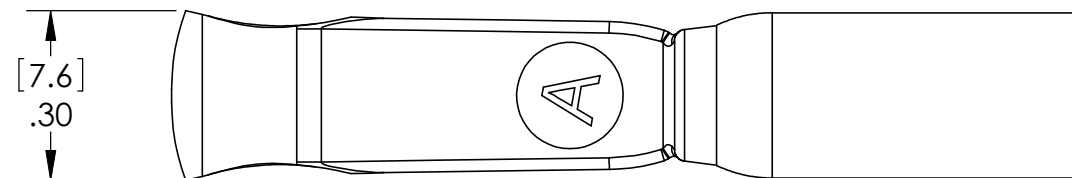
2

1



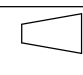
THE INFORMATION CONTAINED IN THIS DRAWING IS THE SOLE PROPERTY OF ANDERSON POWER PRODUCTS. ANY REPRODUCTION IN PART OR WHOLE WITHOUT THE WRITTEN PERMISSION OF ANDERSON POWER PRODUCTS IS PROHIBITED.

Copyright 2008

ANDERSON POWER PRODUCTS RESERVES THE RIGHT TO ALTER PRODUCT TYPES, THEIR TECHNICAL DATA, DIMENSION, STYLE AND ACCESSORIES WITHOUT PRIOR NOTIFICATION.



CAT. NO. 1339G3

DIMENSIONS ARE IN: INCH[MM]		APPROVALS		 <b>ANDERSON POWER PRODUCTS</b>
UNLESS OTHERWISE STATED		DRAWN	GN 06/25/03	
TOLERANCES:		CHECKED	DJD 06/26/03	<b>SBS50 CONTACT FOR #10/12 AWG WIRE</b>
DECIMALS (INCH)	DECIMALS (MM)	ANGLES		
.XX ±.02	.X ±.5	±2°		
SURFACE FINISH:		MFG APP	DAM 06/26/03	<b>SIZE B/A3</b>
MACHINED	128 [3.2] ✓	QC APP	ROM 06/27/03	
MOLDED	64 [1.6] ✓	ENG APP	UJN 06/27/03	<b>DWG NO. B01853S3</b>
MATERIAL: COPPER ALLOY				<b>REV. 1</b>
FINISH: SILVER PLATE				<b>SCALE NONE</b>
				<b>CADFILE 01778</b>
				<b>SHEET 1 OF 1</b>
		-CAD GENERATED DRAWING- DO NOT MANUALLY UPDATE DO NOT SCALE		

1	ECRN 14345 - UPDATE BORDER & TOLERANCES	AMS	11/14/08
REV.	DESCRIPTION OF CHANGES	APPROVED	DATE

E

D

C

B

A

E

D

C

B

A

8

7

6

5

4

3

2

1