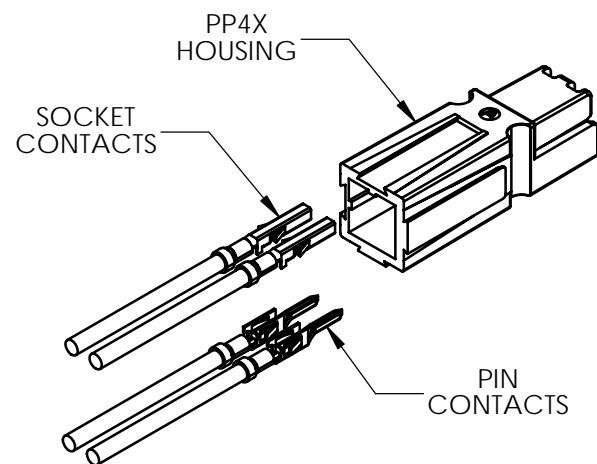
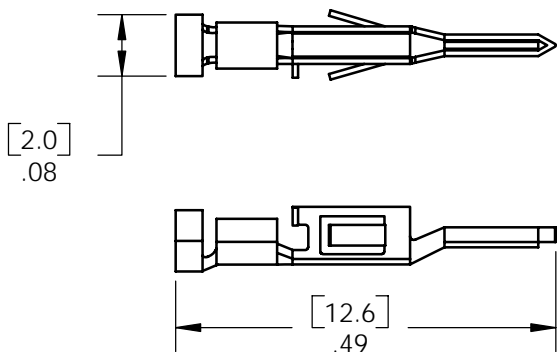


THE INFORMATION CONTAINED IN THIS DRAWING IS THE SOLE PROPERTY OF ANDERSON POWER PRODUCTS. ANY REPRODUCTION IN PART OR WHOLE WITHOUT THE WRITTEN PERMISSION OF ANDERSON POWER PRODUCTS IS PROHIBITED.

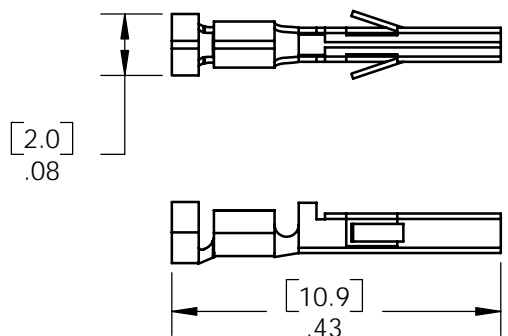
Copyright 2008

ANDERSON POWER PRODUCTS RESERVES THE RIGHT TO ALTER PRODUCT TYPES, THEIR TECHNICAL DATA, DIMENSION, STYLE AND ACCESSORIES WITHOUT PRIOR NOTIFICATION.

PIN CONTACTS



SOCKET CONTACTS



PART NUMBERS			
Kit w/HSG	Contacts Only	Gender	Plating
4330G6	4202G1	FEMALE	Tin plate, 40 microns
	4203G1	MALE	Tin plate, 40 microns
4350G6	4202G3	FEMALE	Gold, 30 microns
	4203G3	MALE	Gold, 30 microns
* P/N without suffix denotes reeled contacts			
P/N with "-LPBK" denotes loose piece contacts			

NOTES:

- HOUSING MATERIAL: PBT
CONTACT MATERIAL: COPPER ALLOY, TIN OVERALL OR TIN W/SELECTIVE GOLD PLATE
- HOUSINGS AND CONTACTS ARE AVAILABLE SEPARATELY OR AS A KIT
- CONTACTS ACCEPT #20/24 AWG CABLE

DIMENSIONS ARE IN:	INCH[MM]
UNLESS OTHERWISE STATED	
TOLERANCES:	
DECIMALS (INCH)	DECIMALS (MM) ANGLES
.XX ± .02	.X ± .5 ± 2°
SURFACE FINISH:	
MACHINED	128 [3.2] ✓
MOLDED	64 [1.6] ✓
MATERIAL:	SEE NOTE 1
FINISH:	SEE NOTE 1

APPROVALS	
DRAWN	AMS 07/22/08
CHECKED	DJD 07/22/08
MFG APP	CHB 07/22/08
QC APP	UFN 07/23/08
ENG APP	DAM 07/22/08

ANDERSON POWER PRODUCTS			
TITLE			
SALES OUTLINE PP4X SIGNAL CONNECTOR (CONTACTS)			
SIZE	DWG NO.	REV.	
A/A4	114797S1	1	

1	ECRN 14375: HSG MATERIAL, PBT WAS PPS	CMS	1/20/09
REV.	DESCRIPTION OF CHANGES	APPROVED	DATE



CAD GENERATED DRAWING. DO NOT MANUALLY UPDATE. DO NOT SCALE.

SCALE	CADFILE	SHEET
NONE	02823	1 OF 1